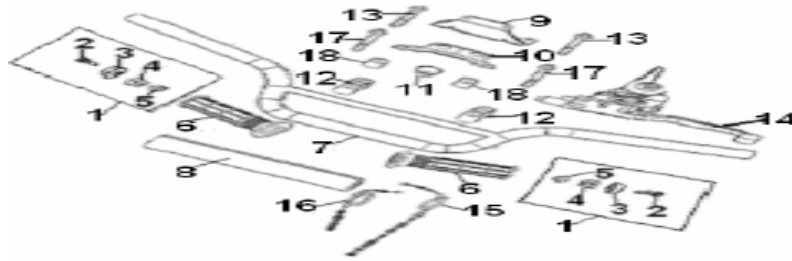




WD250

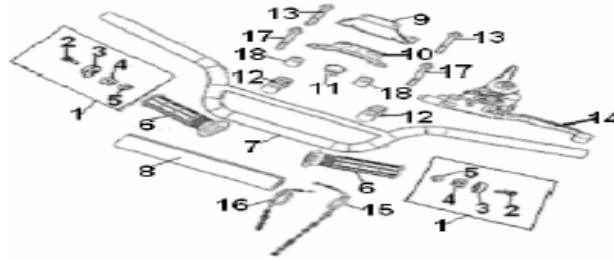


| | | |
|-------------------|--|-----------------------------|
| STEERING 1 | | MODEL WD250, BAJA250 |
|-------------------|--|-----------------------------|



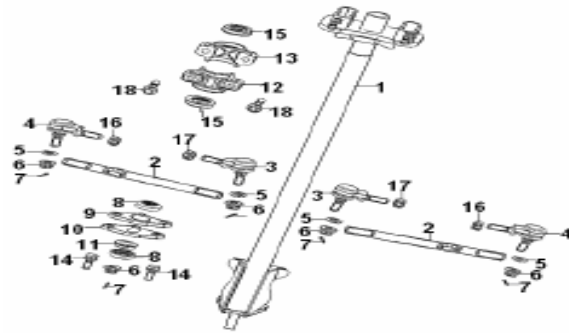
| Item No. | Part No. | UPC Number | Description | Baja Description | Qty Shipped per order | Qty. | MSRP | Dealer Cost |
|----------|-----------|--------------|---------------------|--------------------------|-----------------------|------|---------|-------------|
| 1 | WD250-100 | 842645002540 | BALANCE BLOCK COMP. | BALANCE BLOCK END CAPS | 1 | 2 | \$2.00 | \$1.00 |
| 2 | WD250-101 | 842645002557 | SCREW GB819-85 | SCREW GB819-85 | 3 | 2 | \$2.25 | \$1.13 |
| 3 | WD250-102 | 842645002564 | BALANCE BLOCK | METAL END CAP | 1 | 2 | \$1.00 | \$0.50 |
| 4 | WD250-103 | 842645002571 | PLUG RUBBER | RUBBER PLUG | 5 | 2 | \$8.75 | \$4.38 |
| 5 | WD250-104 | 842645002588 | NUT GB6177-86 | NUT GB6177-86 | 3 | 2 | \$2.25 | \$1.13 |
| 6 | WD250-105 | 842645002595 | GRIP, LEFT | LEFT & RIGHT HANDLE GRIP | 1 | 2 | \$8.50 | \$4.25 |
| 7 | WD250-106 | 842645002601 | HANDLE BAR | HANDLE BAR | 1 | 1 | \$17.50 | \$8.75 |
| 8 | WD250-107 | 842645002618 | SLEEVE, PROTECTING | PROTECTING SLEEVE, FOAM | 1 | 1 | \$8.50 | \$4.25 |
| 9 | WD250-108 | 842645002625 | PLATE, PROTECTOR | PROTECTOR PLATE | 1 | 1 | \$4.50 | \$2.25 |
| 10 | WD250-109 | 842645002632 | PILOT LAMP PLATE | LIGHT INDICATOR PLATE | 1 | 1 | \$4.50 | \$2.25 |
| 11 | WD250-110 | 842645002649 | DUST CAP | DUST CAP | 1 | 1 | \$2.50 | \$1.25 |
| 12 | WD250-111 | 842645002656 | HOLDER, HANDLE | HANDLE BAR BRACKET | 2 | 2 | \$9.70 | \$4.85 |
| 13 | WD250-112 | 842645002663 | BOLT GB5789-86 | BOLT GB5789-86 | 1 | 2 | \$0.75 | \$0.38 |
| 14 | WD250-113 | 842645002670 | LEFT LEVER COMP. | LEFT LEVER COMP | 1 | 1 | \$24.95 | \$12.48 |
| 15 | WD250-114 | 842645002687 | CABLE, THROTTLE | CABLE, THROTTLE | 1 | 1 | \$18.50 | \$9.25 |
| 16 | WD250-115 | 842645002694 | CABLE, STAY UP | CABLE, REAR BRAKE | 1 | 1 | \$20.00 | \$10.00 |
| | | | | | | | | |
| | | | | | | | | |
| | | | | | | | | |

| | | |
|-------------------|--|-----------------------------|
| STEERING 1 | | MODEL WD250, BAJA250 |
|-------------------|--|-----------------------------|



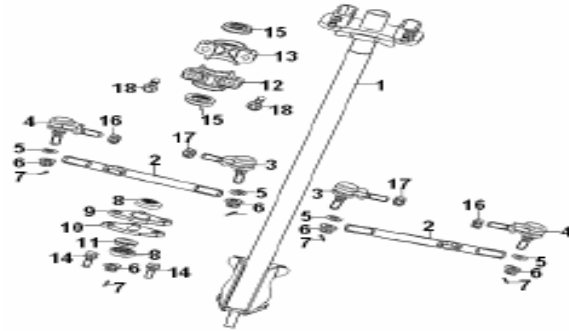
| Item No. | Part No. | UPC Number | Description | Baja Description | Qty Shipped per order | Qty. | MSRP | Dealer Cost |
|----------|-----------|--------------|---------------------------------------------|------------------|-----------------------|------|---------|-------------|
| 17 | WD250-116 | 842645002700 | BOLT GB5789-86 | BOLT GB5789-86 | 2 | 2 | \$1.50 | \$0.75 |
| 18 | WD250-117 | 842645002717 | CUSHION | CUSHION | 1 | 2 | \$1.45 | \$0.73 |
| | WD250-129 | 842645002830 | CABLE, GEAR SHIFT LEFT BRAKE LEVER ASSEMBLY | | 1 | 1 | \$11.95 | \$5.98 |
| | | | | | | | | |
| | | | | | | | | |
| | | | | | | | | |
| | | | | | | | | |
| | | | | | | | | |
| | | | | | | | | |
| | | | | | | | | |
| | | | | | | | | |
| | | | | | | | | |
| | | | | | | | | |
| | | | | | | | | |
| | | | | | | | | |
| | | | | | | | | |
| | | | | | | | | |
| | | | | | | | | |
| | | | | | | | | |
| | | | | | | | | |
| | | | | | | | | |
| | | | | | | | | |
| | | | | | | | | |
| | | | | | | | | |
| | | | | | | | | |

| | | |
|--------------------|--|-----------------------------|
| STEERING II | | MODEL WD250, BAJA250 |
|--------------------|--|-----------------------------|



| Item No. | Part No. | UPC Number | Description | Baja Description | Qty Shipped per order | Qty. | MSRP | Dealer Cost |
|----------|-----------|--------------|--------------------------------------------|-------------------------------|-----------------------|------|---------|-------------|
| 1 | WD250-118 | 842645002724 | COLUMN, STEERING | STEERING COLUMN | 1 | 1 | \$38.50 | \$19.25 |
| 2 | WD250-119 | 842645001178 | ROD, TIE | TIE ROD | 1 | 2 | \$6.50 | \$3.25 |
| 3 | WD250-120 | 842645001185 | JOINT, UNIVERSAL A(TIE ROD END)INSIDE | TIE ROD END, INSIDE | 1 | 2 | \$8.50 | \$4.25 |
| 3 | WD250-173 | 842645003561 | JOINT,REVERSE THREAD,B(TIE ROD END)OUTSIDE | TIE ROD END, OUTSIDE | 1 | 2 | \$8.50 | \$4.25 |
| 4 | WD250-121 | 842645001192 | JOINT,UNIVERSAL,B(TIE ROD END)OUTSIDE | TIE ROD END, OUTSIDE | 1 | 2 | \$8.50 | \$4.25 |
| 5 | WD250-122 | 842645002762 | WASHER GB97.1-85 | WASHER | 4 | 4 | \$1.00 | \$0.50 |
| 6 | WD250-123 | 842645002779 | CASTLE NUT GB6179-86 | CASTLE NUT | 4 | 5 | \$3.00 | \$1.50 |
| 7 | WD250-124 | 842645002786 | SPLIT PIN GB91-86(COTTER PIN) | SPLIT PIN | 3 | 5 | \$1.50 | \$0.75 |
| 8 | WD250-125 | 842645002793 | DUST COVER GIMBAL | DUST COVER GIMBAL | 2 | 2 | \$5.70 | \$2.85 |
| 9 | WD250-126 | 842645002809 | GIMBAL ASSY. | GIMBAL ASSYM | 1 | 1 | \$10.15 | \$5.08 |
| 10 | WD250-127 | 842645002816 | RUBBER, ABSORBER | RUBBER ABSORBER | 1 | 1 | \$2.50 | \$1.25 |
| 11 | WD250-128 | 842645002823 | SPACER | SPACER | 2 | 1 | \$3.50 | \$1.75 |
| 12 | | | COVER STEERING COLUMN | AVAILABLE WITH PART WD250-130 | | | | |
| 13 | WD250-130 | 842645002847 | SEAT, STEERING COLUMN | SEAT, STEERING COLUMN | 1 SET | 1 | \$9.66 | \$4.83 |
| 14 | WD250-131 | 842645002854 | BOLT GB9074.17-88 | BOLT | 2 | 2 | \$1.50 | \$0.75 |
| 15 | WD250-132 | 842645002861 | SEAL RING | SEAL RING | 2 | 2 | \$7.90 | \$3.95 |
| 16 | WD250-133 | 842645002878 | NUT L.H. GB6170-86 | NUT, OUTSIDE TIE ROD | 2 | 2 | \$1.50 | \$0.75 |
| | | | | | | | | |
| | | | | | | | | |
| | | | | | | | | |
| | | | | | | | | |

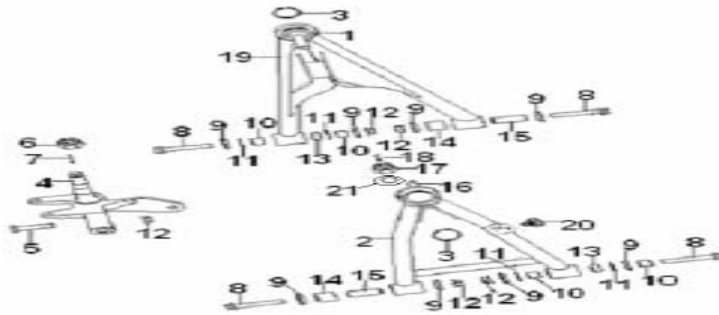
| | | |
|--------------------|--|-----------------------------|
| STEERING II | | MODEL WD250, BAJA250 |
|--------------------|--|-----------------------------|



| Item No. | Part No. | UPC Number | Description | Baja Description | Qty Shipped per order | Qty. | MSRP | Dealer Cost |
|----------|-----------|--------------|----------------|------------------|-----------------------|------|--------|-------------|
| 17 | WD250-134 | 842645002885 | NUT GB6170-86 | | 2 | 2 | \$1.50 | \$0.75 |
| 18 | WD250-135 | 842645002892 | BOLT GB5789-86 | BOLT | 2 | 2 | \$1.50 | \$0.75 |
| | | | | | | | | |
| | | | | | | | | |
| | | | | | | | | |
| | | | | | | | | |
| | | | | | | | | |
| | | | | | | | | |
| | | | | | | | | |
| | | | | | | | | |
| | | | | | | | | |
| | | | | | | | | |
| | | | | | | | | |
| | | | | | | | | |
| | | | | | | | | |
| | | | | | | | | |
| | | | | | | | | |
| | | | | | | | | |
| | | | | | | | | |
| | | | | | | | | |
| | | | | | | | | |
| | | | | | | | | |

RIGHT ROCKER ARM

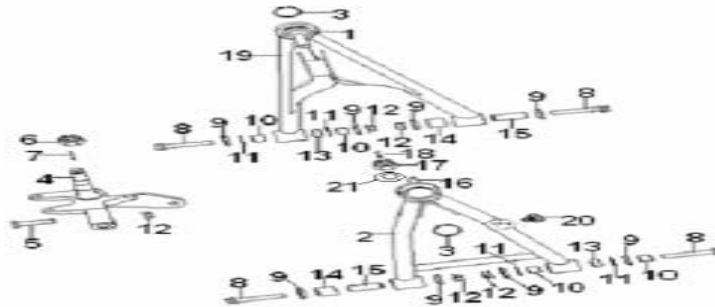
MODEL WD250, BAJA250



| Item No. | Part No. | UPC Number | Description | Baja Description | Qty Shipped per order | Qty. | MSRP | Dealer Cost |
|----------|-----------|--------------|-------------------------------|------------------|-----------------------|------|---------|-------------|
| 1 | WD250-136 | 842645001208 | LOWER GIMBAL ASSY(BALL JOINT) | | 1 | 1 | \$8.95 | \$4.48 |
| 2 | WD250-137 | 842645002915 | UPPER ARM RIGHT | | 1 | 1 | \$22.95 | \$11.48 |
| 3 | WD250-138 | 842645002922 | CIRCLIP GB894.1-86 | | 1 | 2 | \$1.50 | \$0.75 |
| 4 | WD250-139 | 842645002939 | STEERING KNUCKLE ASSY (RIGHT) | | 1 | 1 | \$34.50 | \$17.25 |
| 5 | WD250-140 | 842645002946 | FIXING BOLT | | 2 | 1 | \$1.50 | \$0.75 |
| 6 | WD250-141 | 842645002953 | CASTLE NUT GB6181-86 | | 2 | 1 | \$1.50 | \$0.75 |
| 7 | WD250-142 | 842645002960 | SPLIT PIN GB91-86 | | 2 | 1 | \$1.00 | \$0.50 |
| 8 | WD250-143 | 842645002977 | BOLT GB5789-86 | | 3 | 4 | \$2.25 | \$1.13 |
| 9 | WD250-144 | 842645002984 | AIRPROOF RING ASSY. | | 2 | 8 | \$2.90 | \$1.45 |
| 10 | WD250-145 | 842645002991 | SPACER 1 | | 4 | 4 | \$6.00 | \$3.00 |
| 11 | WD250-146 | 842645003004 | CIRCLIP GB893.1-86 | | 1 | 4 | \$1.50 | \$0.75 |
| 12 | WD250-147 | 842645003011 | NUT GB6187-86 | | 5 | 5 | \$3.75 | \$1.88 |
| 13 | WD250-148 | 842645003028 | JOINT BEARING | | 1 | 2 | \$11.50 | \$5.75 |
| 14 | WD250-149 | 842645003325 | BEARING NA6901 | | 1 | 2 | \$11.50 | \$5.75 |
| 15 | WD250-150 | 842645003332 | SPACER II | | 2 | 2 | \$3.00 | \$1.50 |
| 16 | WD250-172 | 842645001215 | UPPER GIMBAL ASSY | | 1 | 1 | \$9.50 | \$4.75 |
| | | | | | | | | |
| | | | | | | | | |
| | | | | | | | | |

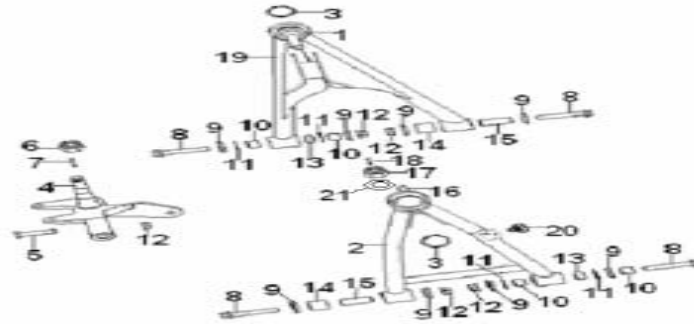
RIGHT ROCKER ARM

MODEL WD250, BAJA250



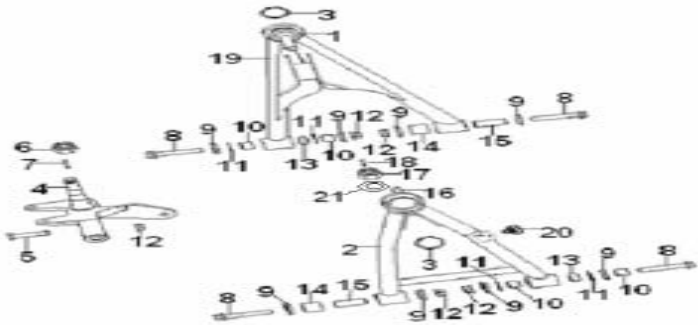
| Item No. | Part No. | UPC Number | Description | Baja Description | Qty Shipped per order | Qty. | MSRP | Dealer Cost |
|----------|-----------|--------------|--------------------------------|------------------|-----------------------|------|---------|-------------|
| 17 | WD250-152 | 842645003356 | CASTLE NUT GB6179-86 | | 2 | 1 | \$3.00 | \$1.50 |
| 18 | WD250-153 | 842645003363 | SPLIT PIN GB91-86 (COTTER PIN) | | 3 | 1 | \$1.50 | \$0.75 |
| 19 | WD250-154 | 842645003370 | LOWER ARM .(RIGHT) | | 1 | 1 | \$32.95 | \$16.48 |
| 20 | WD250-155 | 842645003387 | SCREW W/WASHER GB9074.6-88 | | 4 | 1 | \$3.00 | \$1.50 |
| 21 | WD250-156 | 842645003394 | WASHER GB97.1-85 | | 1 | 1 | \$0.50 | \$0.25 |
| | | | | | | | | |
| | | | | | | | | |
| | | | | | | | | |
| | | | | | | | | |
| | | | | | | | | |
| | | | | | | | | |
| | | | | | | | | |
| | | | | | | | | |
| | | | | | | | | |
| | | | | | | | | |
| | | | | | | | | |
| | | | | | | | | |
| | | | | | | | | |
| | | | | | | | | |
| | | | | | | | | |
| | | | | | | | | |
| | | | | | | | | |

LEFT ROCKER ARM **MODEL WD250, BAJA250**



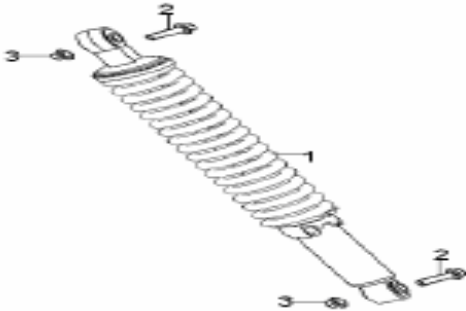
| Item No. | Part No. | UPC Number | Description | Baja Description | Qty Shipped per order | Qty. | MSRP | Dealer Cost |
|----------|-----------|--------------|-------------------------------|------------------|-----------------------|------|---------|-------------|
| 1 | WD250-136 | 842645003400 | LOWER GIMBAL ASSY(BALL JOINT) | | 1 | 1 | \$8.95 | \$4.48 |
| 2 | WD250-158 | 842645003417 | UPPER A ARM (LEFT) | | 1 | 1 | \$22.95 | \$11.48 |
| 3 | WD250-138 | 842645002922 | CIRCLIP GB894.1-86 | | 1 | 2 | \$1.50 | \$0.75 |
| 4 | WD250-160 | 842645003431 | STEERING KNUCKLE ASSY (LEFT) | | 1 | 1 | \$34.50 | \$17.25 |
| 5 | WD250-140 | 842645002946 | FIXING BOLT | | 1 | 1 | \$0.75 | \$0.38 |
| 6 | WD250-141 | 842645002953 | CASTLE NUT GB6181-86 | | 1 | 1 | \$0.75 | \$0.38 |
| 7 | WD250-142 | 842645002960 | SPLIT PIN GB91-86(COTTER PIN) | | 1 | 1 | \$0.50 | \$0.25 |
| 8 | WD250-143 | 842645002977 | BOLT GB5789-86 | | 2 | 4 | \$1.50 | \$0.75 |
| 9 | WD250-144 | 842645002984 | AIRPROOF RING ASSY | | 2 | 8 | \$2.90 | \$1.45 |
| 10 | WD250-145 | 842645002991 | SPACER I | | 2 | 4 | \$3.00 | \$1.50 |
| 11 | WD250-146 | 842645003004 | CIRCLIP GB893.1-86 | | 1 | 4 | \$1.50 | \$0.75 |
| 12 | WD250-147 | 842645003011 | NUT GB6187-86 | | 4 | 5 | \$3.00 | \$1.50 |
| 13 | WD250-148 | 842645003028 | JOINT BEARING | | 1 | 2 | \$11.50 | \$5.75 |
| 14 | WD250-149 | 842645003325 | BEARING NA6901 | | 1 | 2 | \$11.50 | \$5.75 |
| 15 | WD250-150 | 842645003332 | SPACER II | | 1 | 2 | \$1.50 | \$0.75 |
| 16 | WD250-172 | 842645003554 | UPPER GIMBAL ASSY | | 1 | 1 | \$9.50 | \$4.75 |
| | | | | | | | | |
| | | | | | | | | |
| | | | | | | | | |

LEFT ROCKER ARM **MODEL WD250, BAJA250**



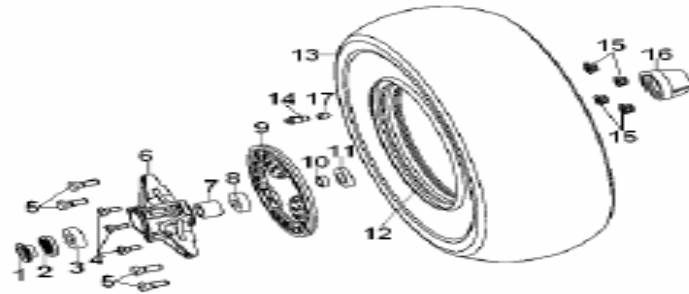
| Item No. | Part No. | UPC Number | Description | Baja Description | Qty Shipped per order | Qty. | MSRP | Dealer Cost |
|----------|-----------|--------------|----------------------------|------------------|-----------------------|------|---------|-------------|
| 17 | WD250-152 | 842645003356 | CASTLE NUT GB6179-86 | | 1 | 1 | \$0.75 | \$0.38 |
| 18 | WD250-153 | 842645003363 | SPLIT PIN GB91-86 | | 1 | 1 | \$0.50 | \$0.25 |
| 19 | WD250-175 | 842645003585 | LOWER A ARM . (LEFT) | | 1 | 1 | \$32.95 | \$16.48 |
| 20 | WD250-155 | 842645003387 | SCREW W/WASHER GB9074.6-88 | | 1 | 1 | \$0.75 | \$0.38 |
| 21 | WD250-156 | 842645003394 | WASHER GB97.1-85 | | 1 | 1 | \$0.50 | \$0.25 |
| | | | | | | | | |
| | | | | | | | | |
| | | | | | | | | |
| | | | | | | | | |
| | | | | | | | | |
| | | | | | | | | |
| | | | | | | | | |
| | | | | | | | | |
| | | | | | | | | |
| | | | | | | | | |
| | | | | | | | | |
| | | | | | | | | |
| | | | | | | | | |
| | | | | | | | | |
| | | | | | | | | |
| | | | | | | | | |

SHOCK ABSORBER **MODEL WD250, BAJA250**



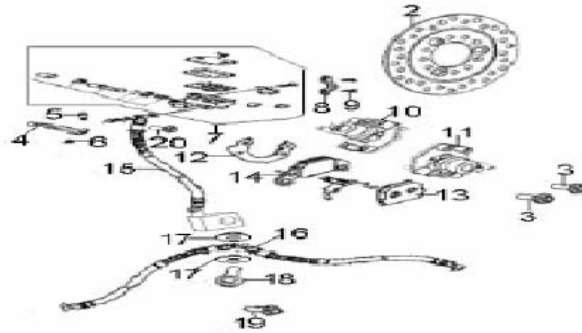
| Item No. | Part No. | UPC Number | Description | Baja Description | Qty Shipped per order | Qty. | MSRP | Dealer Cost |
|----------|-----------|--------------|----------------------|------------------|-----------------------|------|---------|-------------|
| 1 | WD250-178 | 842645003615 | FRONT ABSORBER ASSY. | | 1 | 2 | \$42.00 | \$21.00 |
| 2 | WD250-179 | 842645003622 | BOLT GB5789-86 | | 3 | 4 | \$2.70 | \$1.35 |
| 3 | WD250-180 | 842645003639 | NUT GB6187-86 | | 4 | 4 | \$3.00 | \$1.50 |
| | | | | | | | | |
| | | | | | | | | |
| | | | | | | | | |
| | | | | | | | | |
| | | | | | | | | |
| | | | | | | | | |
| | | | | | | | | |
| | | | | | | | | |
| | | | | | | | | |
| | | | | | | | | |
| | | | | | | | | |
| | | | | | | | | |
| | | | | | | | | |
| | | | | | | | | |
| | | | | | | | | |
| | | | | | | | | |
| | | | | | | | | |
| | | | | | | | | |

| | | |
|-------------|--|----------------------|
| FRONT WHEEL | | MODEL WD250, BAJA250 |
|-------------|--|----------------------|



| Item No. | Part No. | UPC Number | Description | Baja Description | Qty Shipped per order | Qty. | MSRP | Dealer Cost |
|----------|-----------|--------------|----------------------|------------------|-----------------------|------|---------|-------------|
| 1 | WD250-181 | 842645003646 | BUSH, INNER | | 1 | 2 | \$1.75 | \$0.88 |
| 2 | WD250-182 | 842645003653 | OIL SEAL ASSY | | 1 | 2 | \$1.50 | \$0.75 |
| 3 | WD250-183 | 842645003660 | BEARING GB/T276-94 | | 1 | 2 | \$8.95 | \$4.48 |
| 4 | WD250-184 | 842645003677 | BOLT, BRAKE DISC | | 3 | 6 | \$2.85 | \$1.43 |
| 5 | WD250-185 | 842645003684 | BOLT, FRONT WHEEL | | 2 | 8 | \$3.90 | \$1.95 |
| 6 | WD250-186 | 842645003691 | HUB, FRONT WHEEL | | 1 | 2 | \$15.00 | \$7.50 |
| 7 | WD250-187 | 842645003738 | BUSH, MIDDLE | | 2 | 2 | \$3.50 | \$1.75 |
| 8 | WD250-188 | 842645003752 | BEARING GB/T276-94 | | 1 | 2 | \$3.20 | \$1.60 |
| 9 | WD250-189 | 842645003769 | GUARD | | 1 | 2 | \$7.50 | \$3.75 |
| 10 | WD250-190 | 842645003790 | BUSH, OUTER | | 1 | 2 | \$1.25 | \$0.63 |
| 11 | WD250-191 | 842645003820 | SEAL | | 1 | 2 | \$1.25 | \$0.63 |
| 12 | WD250-192 | 842645003844 | FRONT RIM ASSY | | 1 | 2 | \$46.00 | \$23.00 |
| 13 | WD250-193 | 842645003868 | TIRE 21x7-10 | | 1 | 2 | \$81.00 | \$40.50 |
| 14 | WD250-194 | 842645003882 | VALVE GB/T3900-91 | | 1 | 2 | \$2.80 | \$1.40 |
| 15 | WD250-195 | 842645003912 | NUT GB6187-86 | | 2 | 8 | \$1.50 | \$0.75 |
| 16 | WD250-196 | 842645003936 | COVER, DUSTPROOF | | 1 | 2 | \$1.95 | \$0.98 |
| 17 | WD250-197 | 842645003943 | CAP, VALVE GB1796-91 | | 2 | 2 | \$2.50 | \$1.25 |
| | | | | | | | | |
| | | | | | | | | |

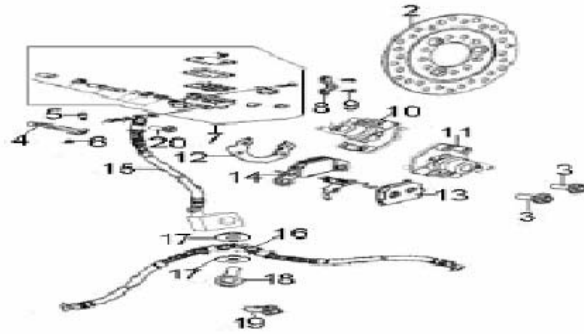
| | | |
|-------------------------|--|-----------------------------|
| FRONT DISK BRAKE | | MODEL WD250, BAJA250 |
|-------------------------|--|-----------------------------|



| Item No. | Part No. | UPC Number | Description | Baja Description | Qty Shipped per order | Qty. | MSRP | Dealer Cost |
|----------|-----------|--------------|--------------------------------------|-------------------------------|-----------------------|------|----------|-------------|
| | WD250-198 | 842645003967 | *FRONT DISC BRAKE ASSY.(ENTIRE ASSY) | NOT AVAILABLE | 1 | 1 | \$124.00 | \$62.00 |
| 2 | WD250-199 | 842645003981 | DISC, FRONT BRAKE | | 1 | 2 | \$12.00 | \$6.00 |
| 3 | WD250-200 | 842645004001 | BOLT GB5789-86 | | 4 | 4 | \$3.00 | \$1.50 |
| 4 | WD250-201 | 842645001222 | BRAKE LEVER | AVAILABLE WITH PART WD250-204 | 1 | 1 | \$7.50 | \$3.75 |
| 5 | WD250-202 | 842645004049 | LEVER BOLT | AVAILABLE WITH PART WD250-204 | 2 | 1 | \$1.50 | \$0.75 |
| 6 | WD250-203 | 842645004063 | NUT | AVAILABLE WITH PART WD250-204 | 1 | 1 | \$1.10 | \$0.55 |
| 7 | WD250-204 | 842645004445 | OIL PUMP BODY ASSY WITH LEVER | BRAKE LEVER ASSEMBLY, RIGHT | 1 | 1 | \$35.95 | \$17.98 |
| 8 | WD250-205 | 842645004094 | MOUNTING SEAT | | 1 | 1 | \$1.30 | \$0.65 |
| 9 | WD250-206 | 842645004117 | BOLT | | 2 | 2 | \$2.50 | \$1.25 |
| 10 | WD250-207 | 842645001239 | BRAKE CYLINDER ASSY. LEFT(CALIPER) | | 1 | 1 | \$37.95 | \$18.98 |
| 11 | WD250-208 | 842645001246 | BRAKE CYLINDER ASSY. RIGHT(CALIPER) | | 1 | 1 | \$37.95 | \$18.98 |
| 12 | WD250-209 | 842645004186 | CONNECT PLATE | | 1 | 2 | \$5.00 | \$2.50 |
| 13 | WD250-210 | 842645001253 | BRAKE SHOE ASSY. | | 1 SET | 2 | \$12.00 | \$6.00 |
| 14 | WD250-211 | 842645001260 | BRAKE SHOE ASSY. 2(OUTER BRAKE PAD) | OUTTER FRONT BRAKE PAD | 1 | 2 | \$6.00 | \$3.00 |
| 15 | WD250-212 | 842645004247 | BRAKE TUBE ASSY. UP(HOSE) | | 1 | 1 | \$12.30 | \$6.15 |
| 16 | WD250-213 | 842645004261 | BRAKE TUBE ASSY. DOWN(HOSE) | | 1 | 1 | \$12.30 | \$6.15 |
| | | | | | | | | |
| | | | | | | | | |
| | | | | | | | | |

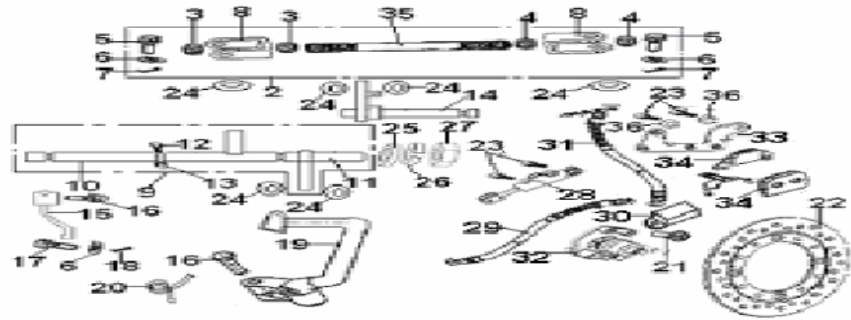
FRONT DISK BRAKE

MODEL WD250, BAJA250



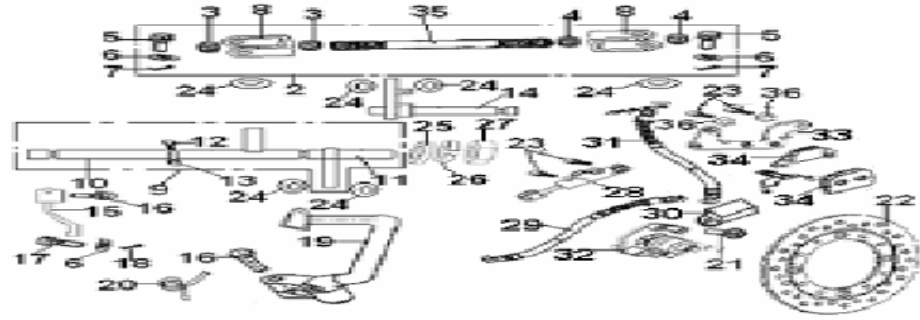
| Item No. | Part No. | UPC Number | Description | Baja Description | Qty Shipped per order | Qty. | MSRP | Dealer Cost |
|----------|-----------|--------------|----------------------------|------------------|-----------------------|------|--------|-------------|
| 17 | WD250-214 | 842645004285 | SEALED WASHER | | 1 | 2 | \$1.10 | \$0.55 |
| 18 | WD250-215 | 842645004452 | BOLT | | 1 | 1 | \$1.10 | \$0.55 |
| 19 | WD250-216 | 842645004469 | BOLT GB5789-86 | | 3 | 1 | \$2.25 | \$1.13 |
| 20 | WD250-217 | 842645004476 | SCREW W/WASHER GB9074.6-88 | | 3 | 1 | \$2.25 | \$1.13 |
| | | | | | | | | |
| | | | | | | | | |
| | | | | | | | | |
| | | | | | | | | |
| | | | | | | | | |
| | | | | | | | | |
| | | | | | | | | |
| | | | | | | | | |
| | | | | | | | | |
| | | | | | | | | |
| | | | | | | | | |
| | | | | | | | | |
| | | | | | | | | |
| | | | | | | | | |

REAR DISK BRAKES **MODEL WD250, BAJA250**



| Item No. | Part No. | UPC Number | Description | Baja Description | Qty Shipped per order | Qty. | MSRP | Dealer Cost |
|----------|-----------|--------------|--------------------------------|------------------|-----------------------|------|----------|-------------|
| | WD250-218 | 842645004483 | *REAR DISC BRAKE COMP. | | 1 | 1 | \$130.00 | \$65.00 |
| 2 | WD250-219 | 842645004490 | CONNECTING POLE COMP.????????? | | 1 SET | 1 | \$9.85 | \$4.93 |
| 3 | WD250-220 | 842645004506 | NUT LH. GB6170-86 | | 2 | 2 | \$1.50 | \$0.75 |
| 4 | WD250-221 | 842645004513 | NUT GB6170-86 | | 2 | 2 | \$1.50 | \$0.75 |
| 5 | WD250-222 | 842645004520 | CONNECT PIN(COTTER PIN) | | 2 | 2 | \$1.00 | \$0.50 |
| 6 | WD250-223 | 842645004537 | WASHER GB97.1-85 | | 2 | 3 | \$1.00 | \$0.50 |
| 7 | WD250-224 | 842645004544 | SPLIT PIN GB91-86 | | 2 | 2 | \$1.00 | \$0.50 |
| 8 | WD250-225 | 842645004551 | BIG BRACKET | | 2 | 2 | \$5.00 | \$2.50 |
| 9 | WD250-226 | 842645004568 | ROCKER ASSY., REAR BRAKE | | 1 | 1 | \$16.50 | \$8.25 |
| 10 | WD250-227 | 842645004575 | ROCKER AXLE COMP1,BRAKE | | 1 | 1 | \$4.75 | \$2.38 |
| 11 | WD250-228 | 842645004582 | ROCKER AXLE 2,BRAKE | | 1 | 1 | \$8.00 | \$4.00 |
| 12 | WD250-229 | 842645004599 | BOLT GB5783-86 | | 2 | 1 | \$1.50 | \$0.75 |
| 13 | WD250-230 | 842645004605 | NUT GB6170-86 | | 2 | 1 | \$1.50 | \$0.75 |
| 14 | WD250-231 | 842645004612 | BRAKE LEVER ROCKER | | 1 | 1 | \$8.95 | \$4.48 |
| 15 | WD250-232 | 842645004629 | ROCKER 2, REAR BRAKE | | 1 | 1 | \$9.50 | \$4.75 |
| 16 | WD250-233 | 842645004636 | BOLT GB5782-86 | | 2 | 2 | \$1.50 | \$0.75 |
| | | | | | | | | |
| | | | | | | | | |
| | | | | | | | | |

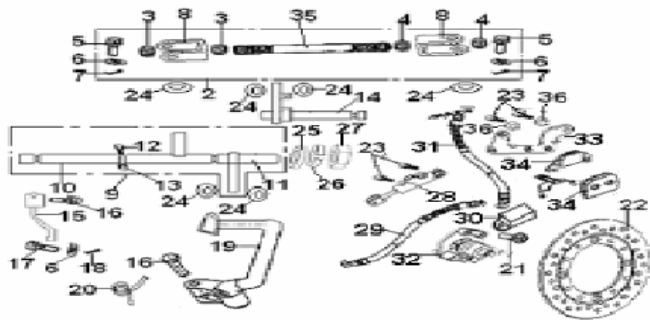
REAR DISK BRAKES **MODEL WD250, BAJA250**



| Item No. | Part No. | UPC Number | Description | Baja Description | Qty Shipped per order | Qty. | MSRP | Dealer Cost |
|----------|-----------|--------------|-------------------------------|---------------------------------|-----------------------|------|---------|-------------|
| 17 | WD250-234 | 842645004643 | PIN AXLE GB882-86 | | 1 | 1 | \$0.50 | \$0.25 |
| 18 | WD250-235 | 842645004650 | SPLIT PIN GB91-86(COTTER PIN) | | 2 | 1 | \$1.00 | \$0.50 |
| 19 | WD250-236 | 842645001277 | BRAKE LEVER COMP. | | 1 | 1 | \$16.50 | \$8.25 |
| 20 | WD250-237 | 842645004674 | TURNING SPRING | | 1 | 1 | \$2.25 | \$1.13 |
| 21 | WD250-238 | 842645004681 | BOLT GB5789-86 | | 1 | 1 | \$0.75 | \$0.38 |
| 22 | WD250-239 | 842645004698 | REAR BRAKE DISC | | 1 | 1 | \$18.25 | \$9.13 |
| 23 | WD250-240 | 842645004704 | BOLT GB5789-86 | | 1 | 4 | \$0.75 | \$0.38 |
| 24 | WD250-241 | 842645004711 | RUBBER CUSHION, I | | 4 | 6 | \$4.60 | \$2.30 |
| 25 | WD250-242 | 842645004728 | WASHER GB97.1-85 | | 1 | 1 | \$0.50 | \$0.25 |
| 26 | WD250-243 | 842645004735 | WASHER GB93-85 | | 2 | 1 | \$1.00 | \$0.50 |
| 27 | WD250-244 | 842645004742 | NUT GB6170-85 | | 2 | 1 | \$1.50 | \$0.75 |
| 28 | WD250-245 | 842645004759 | OIL PUMP BODY ASSY. | BRAKE PUMP MASTER CYLINDER ONLY | 1 | 1 | \$18.00 | \$9.00 |
| 29 | WD250-246 | 842645004766 | OIL PIPE ASSY. | | 1 | 1 | \$4.95 | \$2.48 |
| 30 | WD250-247 | 842645004773 | OIL CUP ASSY. | | 1 | 1 | \$5.45 | \$2.73 |
| | | | | | | | | |
| | | | | | | | | |
| | | | | | | | | |
| | | | | | | | | |

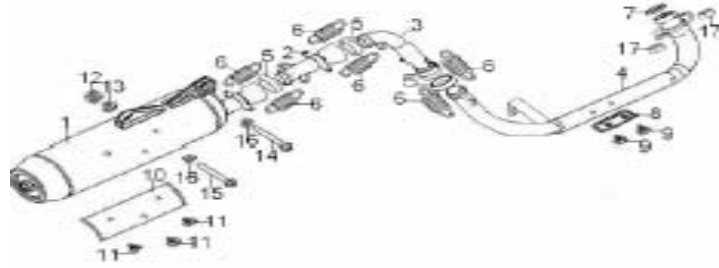
REAR DISK BRAKES

MODEL WD250, BAJA250



| Item No. | Part No. | UPC Number | Description | Baja Description | Qty Shipped per order | Qty. | MSRP | Dealer Cost |
|----------|-----------|--------------|-------------------------------------|------------------|-----------------------|------|---------|-------------|
| 31 | WD250-248 | 842645004780 | BRAKE TUBE ASSY. | | 1 | 1 | \$13.00 | \$6.50 |
| 32 | WD250-249 | 842645004797 | BRAKE CYLINDER ASSY.(CALIPER) | | 1 | 1 | \$37.95 | \$18.98 |
| 33 | WD250-250 | 842645004803 | CONNECT PLATE | | 1 | 1 | \$5.00 | \$2.50 |
| 34 | WD250-251 | 842645001284 | BRAKE SHOE ASSY.(PADS)2 PADS=1 UNIT | | 1 | 2 | \$14.95 | \$7.48 |
| 35 | WD250-252 | 842645004827 | CONNECTING POLE | | 1 | 1 | \$2.80 | \$1.40 |
| 36 | WD250-253 | 842645004834 | WASHER GB93-85 | | 1 | 2 | \$0.50 | \$0.25 |
| | WD250-151 | 883099059872 | PARKING BRAKE ASSY, REAR CALIPER | | 1 | 1 | \$19.50 | \$9.75 |
| | | | | | | | | |
| | | | | | | | | |
| | | | | | | | | |
| | | | | | | | | |
| | | | | | | | | |
| | | | | | | | | |
| | | | | | | | | |
| | | | | | | | | |
| | | | | | | | | |

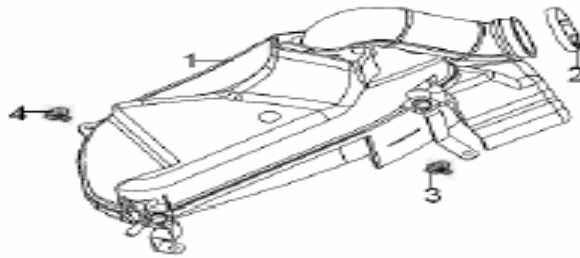
| | | |
|----------------|--|-----------------------------|
| MUFFLER | | MODEL WD250, BAJA250 |
|----------------|--|-----------------------------|



| Item No. | Part No. | UPC Number | Description | Baja Description | Qty Shipped per order | Qty. | MSRP | Dealer Cost |
|----------|-----------|--------------|----------------------------|------------------|-----------------------|------|---------|-------------|
| 1 | WD250-254 | 842645004841 | JOINTING ASSY., MUFFLER | | 1 | 1 | \$86.00 | \$43.00 |
| 2 | WD250-255 | 842645004858 | VENT-PIPE, I | | 1 | 1 | \$4.95 | \$2.48 |
| 3 | WD250-256 | 842645004865 | VENT-PIPE, II | | 1 | 1 | \$5.95 | \$2.98 |
| 4 | WD250-257 | 842645004872 | VENT-PIPE, III | | 1 | 1 | \$4.95 | \$2.48 |
| 5 | WD250-258 | 842645004889 | GRAPHITE BUSH | | 1 | 3 | \$2.75 | \$1.38 |
| 6 | WD250-259 | 842645004896 | SPRING, PULLING | | 2 | 6 | \$6.50 | \$3.25 |
| 7 | WD250-260 | 842645004902 | GASKET ASSY. | | 1 | 1 | \$3.95 | \$1.98 |
| 8 | WD250-261 | 842645004919 | DECORATION PLATE 1 | | 1 | 1 | \$6.40 | \$3.20 |
| 9 | WD250-262 | 842645004926 | SCREW W/WASHER GB9074.4-88 | | 2 | 2 | \$1.50 | \$0.75 |
| 10 | WD250-263 | 842645004933 | DECORATION PLATE 2 | | 1 | 1 | \$9.00 | \$4.50 |
| 11 | WD250-264 | 842645004940 | SCREW W/WASHER GB9074.4-88 | | 1 | 3 | \$0.75 | \$0.38 |
| 12 | WD250-265 | 842645004957 | WREATH,RUBBER | | 5 | 1 | \$3.75 | \$1.88 |
| 13 | WD250-266 | 842645004964 | BUSH | | 1 | 1 | \$1.25 | \$0.63 |
| 14 | WD250-267 | 842645004971 | BOLT GB5789-86 | | 2 | 1 | \$2.50 | \$1.25 |
| 15 | WD250-268 | 842645004988 | BOLT GB5789-86 | | 2 | 1 | \$4.20 | \$2.10 |
| 16 | WD250-269 | 842645004995 | NUT GB6177-86 | | 2 | 2 | \$1.50 | \$0.75 |
| 17 | WD250-270 | 842645005008 | NUT GB6170-86 | | 2 | 2 | \$1.50 | \$0.75 |
| | | | | | | | | |
| | | | | | | | | |

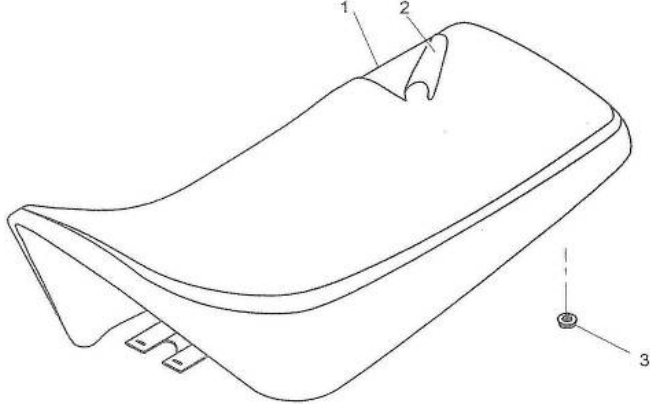

AIR CLEANER

MODEL WD250, BAJA250

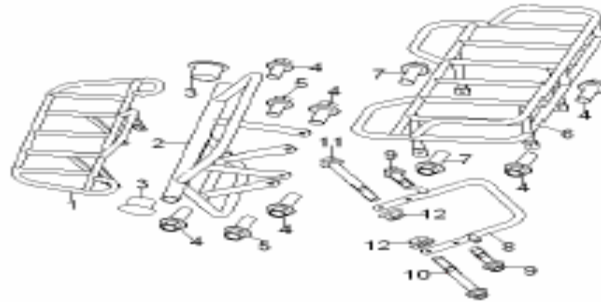


| Item No. | Part No. | UPC Number | Description | Baja Description | Qty Shipped per order | Qty. | MSRP | Dealer Cost |
|----------|-----------|--------------|----------------------------|---------------------------|-----------------------|------|---------|-------------|
| 1 | WD250-271 | 842645005015 | AIR CLEANER COMP. | AIR CLEANER COMP ASSEMBLY | 1 | 1 | \$38.95 | \$19.48 |
| 2 | WD250-272 | 842645005022 | CLAMP ASSY | | 1 | 1 | \$1.10 | \$0.55 |
| 3 | WD250-273 | 842645005039 | SCREW W/WASHER GB9074.6-88 | | 1 | 1 | \$0.75 | \$0.38 |
| 4 | WD250-274 | 842645005046 | SCREW W/WASHER GB9074.6-88 | | 2 | 1 | \$1.50 | \$0.75 |
| | WD250-900 | 842645001291 | ELEMENT COMP AIR FILTER | AIR FILTER | 1 | 1 | \$9.95 | \$4.98 |
| | | | | | | | | |
| | | | | | | | | |
| | | | | | | | | |
| | | | | | | | | |
| | | | | | | | | |
| | | | | | | | | |
| | | | | | | | | |
| | | | | | | | | |
| | | | | | | | | |
| | | | | | | | | |
| | | | | | | | | |
| | | | | | | | | |
| | | | | | | | | |

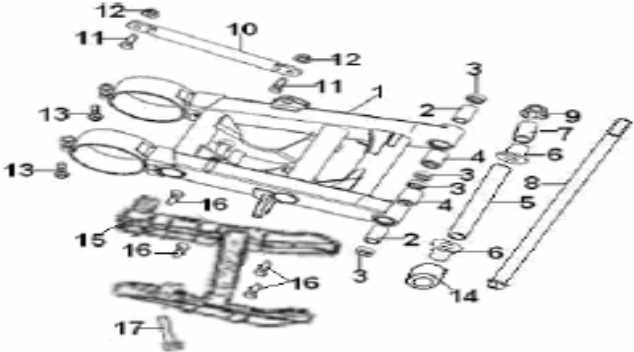

| FUEL TANK | | MODEL WD250, BAJA250 | | | | | | | |
|-----------|-----------|----------------------|----------------------------------|------------------------|-----------------------|------|---------|-------------|--|
| | | | | | | | | | |
| | | | | | | | | | |
| Item No. | Part No. | UPC Number | Description | Baja Description | Qty Shipped per order | Qty. | MSRP | Dealer Cost | |
| 1 | WD250-275 | 842645005053 | FUEL TANK | | 1 | 1 | \$44.00 | \$22.00 | |
| 2 | WD250-276 | 842645005060 | TANK COVER ASSY.(CAP) | | 1 | 1 | \$5.75 | \$2.88 | |
| 3 | WD250-277 | 842645005077 | HOSE PIPE ,5x,9x250(VENT HOSE) | | 1 | 1 | \$2.25 | \$1.13 | |
| 4 | WD250-278 | 842645005084 | SCREW W/WASHER GB9074.6-88 | | 2 | 3 | \$1.50 | \$0.75 | |
| 5 | WD250-279 | 842645005091 | BUSH | | 3 | 3 | \$4.50 | \$2.25 | |
| 6 | WD250-280 | 842645005107 | RUBBER BLANKET | | 3 | 3 | \$5.25 | \$2.63 | |
| 7 | WD250-281 | 842645001307 | FUEL COCK | PETCOCK W/OUT HARDWARE | 1 | 1 | \$8.95 | \$4.48 | |
| 8 | WD250-282 | 842645005121 | WASHER | | 2 | 2 | \$1.00 | \$0.50 | |
| 9 | WD250-283 | 842645005138 | BOLT GB5782-86 | | 2 | 2 | \$1.50 | \$0.75 | |
| 10 | WD250-284 | 842645005145 | OIL PIPE ,5x,9x200(HOSE TO CARB) | | 1 | 1 | \$3.85 | \$1.93 | |
| 11 | WD250-285 | 842645005152 | CLIP ,8(HOSE CLAMP) | | 2 | 2 | \$2.20 | \$1.10 | |
| | | | | | | | | | |
| | | | | | | | | | |
| | | | | | | | | | |
| | | | | | | | | | |
| | | | | | | | | | |
| | | | | | | | | | |
| | | | | | | | | | |

| | SEAT ASSEMBLY | | | MODEL WD250, BAJA250 | | | | |
|------------------------------------------------------------------------------------|---------------|--------------|-------------|----------------------|-----------------------|------|---------|-------------|
|  | | | | | | | | |
|  | | | | | | | | |
| Item No. | Part No. | UPC Number | Description | Baja Description | Qty Shipped per order | Qty. | MSRP | Dealer Cost |
| | WD250-286 | 842645005169 | SEAT ASSY. | | 1 | 1 | \$51.00 | \$25.50 |
| | | | | | | | | |
| | | | | | | | | |
| | | | | | | | | |
| | | | | | | | | |
| | | | | | | | | |
| | | | | | | | | |
| | | | | | | | | |
| | | | | | | | | |
| | | | | | | | | |
| | | | | | | | | |
| | | | | | | | | |
| | | | | | | | | |
| | | | | | | | | |
| | | | | | | | | |
| | | | | | | | | |
| | | | | | | | | |
| | | | | | | | | |
| | | | | | | | | |
| | | | | | | | | |
| | | | | | | | | |
| | | | | | | | | |

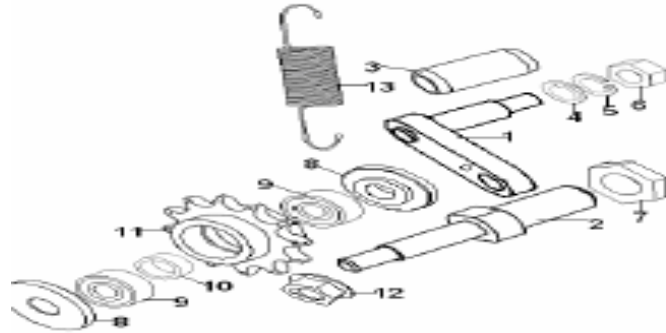
| | | |
|------------------------|--|-----------------------------|
| LUGGAGE CARRIER | | MODEL WD250, BAJA250 |
|------------------------|--|-----------------------------|



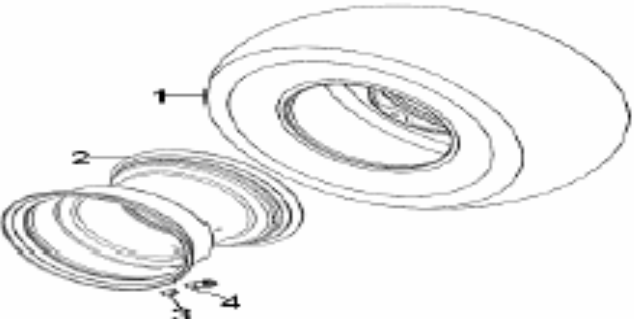

| Item No. | Part No. | UPC Number | Description | Baja Description | Qty Shipped per order | Qty. | MSRP | Dealer Cost |
|----------|-----------|--------------|------------------------|------------------|-----------------------|------|---------|-------------|
| 1 | WD250-287 | 842645005176 | LUGGAGE CARRIER, FRONT | | 1 | 1 | \$43.00 | \$21.50 |
| 2 | WD250-288 | 842645005183 | SAFE BAR COMP | | 1 | 1 | \$18.00 | \$9.00 |
| 3 | WD250-289 | 842645005190 | RUBBER COVER | | 1 | 2 | \$1.35 | \$0.68 |
| 4 | WD250-290 | 842645005206 | BOLT GB5789-86 | | 3 | 6 | \$2.25 | \$1.13 |
| 5 | WD250-291 | 842645005213 | BOLT GB5789-86 | | 1 | 2 | \$0.75 | \$0.38 |
| 6 | WD250-292 | 842645005220 | LUGGAGE CARRIER REAR | | 1 | 1 | \$53.00 | \$26.50 |
| 7 | WD250-293 | 842645005237 | BOLT GB5789-86 | | 1 | 2 | \$0.75 | \$0.38 |
| 8 | WD250-294 | 842645005244 | REAR HANDRAIL | | 1 | 1 | \$11.00 | \$5.50 |
| 9 | WD250-295 | 842645005251 | BOLT GB5789-86 | | 2 | 2 | \$1.50 | \$0.75 |
| 10 | WD250-296 | 842645005251 | BOLT GB5789-86 | | 3 | 2 | \$2.25 | \$1.13 |
| 11 | WD250-297 | 842645005251 | BOLT GB5789-86 | | 3 | 2 | \$2.25 | \$1.13 |
| 12 | WD250-298 | 842645005282 | NUT GB6187-86 | | 2 | 2 | \$1.50 | \$0.75 |
| | | | | | | | | |
| | | | | | | | | |
| | | | | | | | | |
| | | | | | | | | |
| | | | | | | | | |
| | | | | | | | | |
| | | | | | | | | |

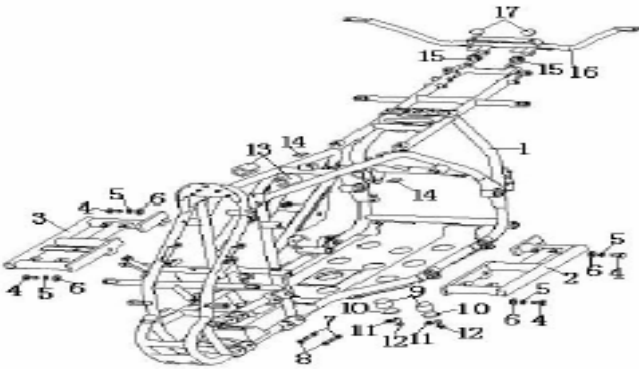

| REAR SWING ARM | | MODEL WD250, BAJA250 | | | | | | | |
|------------------------------------------------------------------------------------|-----------|----------------------|-----------------------|------------------|-----------------------|------|---------|-------------|--|
|  | | | | | | | | | |
|  | | | | | | | | | |
| Item No. | Part No. | UPC Number | Description | Baja Description | Qty Shipped per order | Qty. | MSRP | Dealer Cost | |
| 1 | WD250-299 | 842645005299 | REAR SWINGING ARM | | 1 | 1 | \$55.00 | \$27.50 | |
| 2 | WD250-300 | 842645005305 | BUSH | | 2 | 2 | \$3.50 | \$1.75 | |
| 3 | WD250-301 | 842645005312 | OIL SEAL, BEARING | | 2 | 4 | \$4.30 | \$2.15 | |
| 4 | WD250-302 | 842645005329 | BEARING GB/T943/20 | | 1 | 2 | \$2.55 | \$1.28 | |
| 5 | WD250-303 | 842645005336 | SPACER, FIRST | | 1 | 1 | \$1.20 | \$0.60 | |
| 6 | WD250-304 | 842645005343 | SPACER, SECOND | | 1 | 2 | \$1.20 | \$0.60 | |
| 7 | WD250-305 | 842645005350 | BUSH | | 1 | 1 | \$1.75 | \$0.88 | |
| 8 | WD250-306 | 842645005367 | BOLT, REAR SWING ARM | | 1 | 1 | \$4.85 | \$2.43 | |
| 9 | WD250-307 | 842645005374 | NUT, GB6187-86 | | 2 | 1 | \$1.50 | \$0.75 | |
| 10 | WD250-308 | 842645005381 | TORQUE LINK | | 1 | 1 | \$5.75 | \$2.88 | |
| 11 | WD250-309 | 842645005398 | BOLT GB5789-86 | | 2 | 2 | \$1.50 | \$0.75 | |
| 12 | WD250-310 | 842645005404 | NUT GB6187-86 | | 2 | 2 | \$1.50 | \$0.75 | |
| 13 | WD250-311 | 842645005411 | BOLT GB5789-86 | | 2 | 2 | \$1.50 | \$0.75 | |
| 14 | WD250-312 | 842645005428 | BUSH, RUBBER | | 1 | 1 | \$1.80 | \$0.90 | |
| 15 | WD250-313 | 842645005435 | CASE SPROCKET JOINING | | 1 | 1 | \$22.50 | \$11.25 | |
| 16 | WD250-314 | 842645005442 | BOLT GB5789-86 | | 4 | 4 | \$3.00 | \$1.50 | |
| 17 | WD250-315 | 842645005459 | BOLT GB5789-86 | | 1 | 1 | \$0.75 | \$0.38 | |
| | | | | | | | | | |
| | | | | | | | | | |

| | | |
|-----------------------|--|-----------------------------|
| REAR SWING ARM | | MODEL WD250, BAJA250 |
|-----------------------|--|-----------------------------|



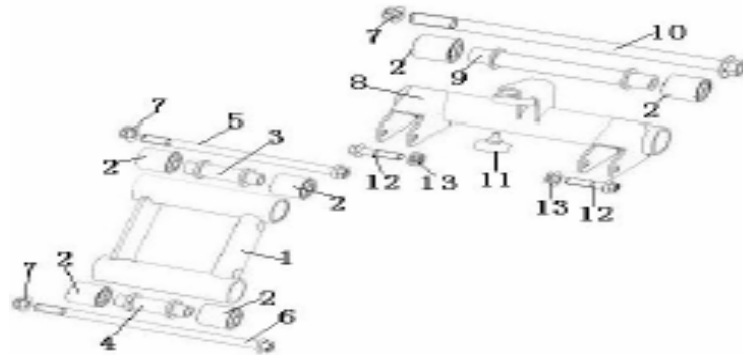
| Item No. | Part No. | UPC Number | Description | Baja Description | Qty Shipped per order | Qty. | MSRP | Dealer Cost |
|----------|-----------|--------------|-----------------------------------|------------------|-----------------------|------|---------|-------------|
| 1 | WD250-316 | 842645005466 | STRETCH PLATE COMP | | 1 | 1 | \$5.25 | \$2.63 |
| 2 | WD250-317 | 842645005473 | AXLE FIXING | | 1 | 1 | \$4.95 | \$2.48 |
| 3 | WD250-318 | 842645005480 | BUSHIE III | | 1 | 1 | \$1.10 | \$0.55 |
| 4 | WD250-319 | 842645005497 | WASHER GB97.1-85 | | 1 | 1 | \$0.75 | \$0.38 |
| 5 | WD250-320 | 842645005503 | WASHER GB93-87 | | 1 | 1 | \$0.75 | \$0.38 |
| 6 | WD250-321 | 842645005510 | NUT GB6170-86 | | 1 | 1 | \$0.75 | \$0.38 |
| 7 | WD250-322 | 842645005527 | NUT GB6173-86 | | 1 | 1 | \$0.75 | \$0.38 |
| 8 | WD250-323 | 842645005541 | CUSHION | | 2 | 2 | \$2.30 | \$1.15 |
| 9 | WD250-324 | 842645005558 | BEARING GB276/T-94 | | 1 | 2 | \$9.95 | \$4.98 |
| 10 | WD250-325 | 842645005565 | CUSHION MIDDLE | | 2 | 1 | \$2.30 | \$1.15 |
| 11 | WD250-326 | 842645005572 | WHEEL, STRETCHING(SPROCKET)ROLLER | | 1 | 1 | \$12.95 | \$6.48 |
| 12 | WD250-327 | 842645005589 | NUT, SELF-LOCKING GB6187-86 | | 5 | 1 | \$3.75 | \$1.88 |
| 13 | WD250-328 | 842645005596 | TENSION SPRING | | 1 | 1 | \$3.95 | \$1.98 |
| | | | | | | | | |
| | | | | | | | | |
| | | | | | | | | |
| | | | | | | | | |
| | | | | | | | | |

| REAR WHEEL | | | | | | | | | MODEL WD250, BAJA250 | |
|------------------------------------------------------------------------------------|-----------|--------------|-------------------------------|------------------|-----------------------|------|---------|-------------|-----------------------------|--|
|  | | | | | | | | | | |
|  | | | | | | | | | | |
| Item No. | Part No. | UPC Number | Description | Baja Description | Qty Shipped per order | Qty. | MSRP | Dealer Cost | | |
| 1 | WD250-330 | 842645005619 | TIRE, 22X11X10 | | 1 | 2 | \$91.50 | \$45.75 | | |
| 2 | WD250-329 | 842645005602 | REAR RIM ASSY(1 PIECE) | | 1 | 2 | \$47.50 | \$23.75 | | |
| 3 | WD250-331 | 842645005626 | CAP, VALVE GB1796-91 | | 1 | 2 | \$1.25 | \$0.63 | | |
| 4 | WD250-332 | 842645005633 | VALVE GB/T3900-91(VALVE STEM) | | 1 | 2 | \$2.80 | \$1.40 | | |
| | | | | | | | | | | |
| | | | | | | | | | | |
| | | | | | | | | | | |
| | | | | | | | | | | |
| | | | | | | | | | | |
| | | | | | | | | | | |
| | | | | | | | | | | |
| | | | | | | | | | | |
| | | | | | | | | | | |
| | | | | | | | | | | |
| | | | | | | | | | | |
| | | | | | | | | | | |
| | | | | | | | | | | |
| | | | | | | | | | | |
| | | | | | | | | | | |
| | | | | | | | | | | |
| | | | | | | | | | | |
| | | | | | | | | | | |
| | | | | | | | | | | |
| | | | | | | | | | | |
| | | | | | | | | | | |
| | | | | | | | | | | |

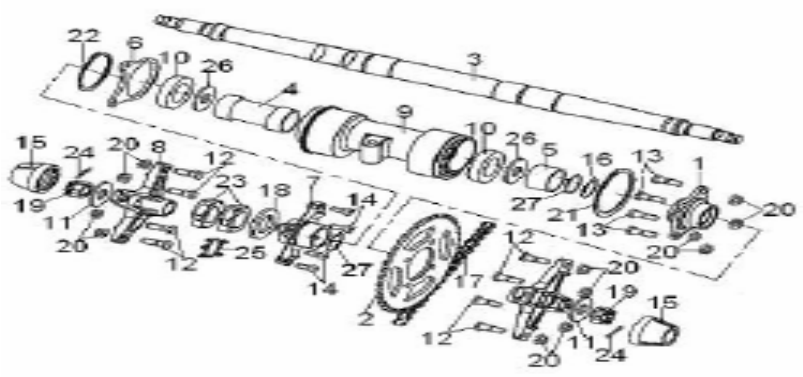

| FRAME | | MODEL WD250, BAJA250 | | | | | | | |
|------------------------------------------------------------------------------------|-----------|----------------------|---------------------------|------------------|-----------------------|------|----------|-------------|--|
|  | | | | | | | | | |
|  | | | | | | | | | |
| Item No. | Part No. | UPC Number | Description | Baja Description | Qty Shipped per order | Qty. | MSRP | Dealer Cost | |
| 1 | WD250-333 | 842645005640 | FRAME JOINTING COMP. | | 1 | 1 | \$260.00 | \$130.00 | |
| 2 | WD250-334 | 842645005657 | BRACKET JOINTING COMP. L. | | 1 | 1 | \$12.50 | \$6.25 | |
| 3 | WD250-335 | 842645005664 | BRACKET JOINTING COMP. R. | | 1 | 1 | \$12.50 | \$6.25 | |
| 4 | WD250-336 | 842645005671 | BOLT GB5782-86 | | 2 | 4 | \$1.50 | \$0.75 | |
| 5 | WD250-337 | 842645005688 | WASHER GB97.1-85 | | 4 | 4 | \$2.00 | \$1.00 | |
| 6 | WD250-338 | 842645005695 | WASHER GB93-87 | | 4 | 4 | \$2.00 | \$1.00 | |
| 7 | WD250-339 | 842645005701 | BOLT GB5783-86 | | 2 | 2 | \$1.50 | \$0.75 | |
| 8 | WD250-340 | 842645005718 | NUT GB6180-86 | | 2 | 2 | \$1.50 | \$0.75 | |
| 9 | WD250-341 | 842645005725 | CUSHION, RUBBER | | 2 | 2 | \$5.70 | \$2.85 | |
| 10 | WD250-342 | 842645005732 | CUSHION | | 2 | 2 | \$2.40 | \$1.20 | |
| 11 | WD250-343 | 842645005749 | NUT GB6070-86 | | 2 | 2 | \$1.50 | \$0.75 | |
| 12 | WD250-344 | 842645005756 | BOLT GB5783-86 | | 1 | 2 | \$0.75 | \$0.38 | |
| 13 | WD250-345 | 842645005763 | DAMPER WASHER | | 1 | 2 | \$1.25 | \$0.63 | |
| 14 | WD250-346 | 842645005770 | RUBBER DAMPER | | 2 | 2 | \$3.70 | \$1.85 | |
| 15 | WD250-347 | 842645005787 | RUBBER CUSHION | | 2 | 2 | \$5.70 | \$2.85 | |
| 16 | WD250-348 | 842645005794 | BRACKET, REAR FENDER | | 1 | 1 | \$8.50 | \$4.25 | |
| | | | | | | | | | |
| | | | | | | | | | |
| | | | | | | | | | |

| FRAME | | | | MODEL WD250, BAJA250 | | | | | |
|----------|-----------|--------------|---------------------|----------------------|-----------------------|------|------------|-------------|--|
| | | | | | | | | | |
| | | | | | | | | | |
| Item No. | Part No. | UPC Number | Description | Baja Description | Qty Shipped per order | Qty. | MSRP | Dealer Cost | |
| 17 | WD250-349 | 842645005800 | RUBBER BUSH | | 2 | 2 | \$2.90 | \$1.45 | |
| 18 | WD250-886 | 842645056215 | ENGINE | ENGINE | 1 | 1 | \$1,074.06 | \$537.03 | |
| | WD90-908 | 883099125645 | FLAG BRACKET, LARGE | | 1 | 1 | \$12.00 | \$6.00 | |
| | | | | | | | | | |
| | | | | | | | | | |
| | | | | | | | | | |
| | | | | | | | | | |
| | | | | | | | | | |
| | | | | | | | | | |
| | | | | | | | | | |
| | | | | | | | | | |
| | | | | | | | | | |
| | | | | | | | | | |
| | | | | | | | | | |
| | | | | | | | | | |
| | | | | | | | | | |
| | | | | | | | | | |
| | | | | | | | | | |

ENGINE BRACKET **MODEL WD250, BAJA250**

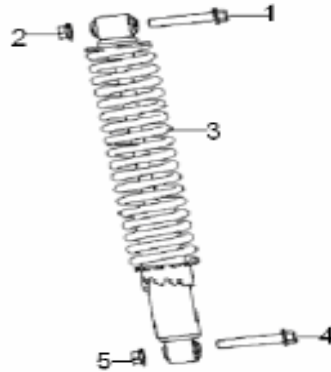


| Item No. | Part No. | UPC Number | Description | Baja Description | Qty Shipped per order | Qty. | MSRP | Dealer Cost |
|----------|-----------|--------------|--------------------------|------------------|-----------------------|------|---------|-------------|
| 1 | WD250-350 | 842645005817 | ENGINE BRACKET COMP | | 1 | 1 | \$31.00 | \$15.50 |
| 2 | WD250-351 | 842645005824 | BUSH | | 3 | 6 | \$7.35 | \$3.68 |
| 3 | WD250-352 | 842645005831 | SPACER FIRST | | 1 | 1 | \$2.85 | \$1.43 |
| 4 | WD250-353 | 842645005848 | SPACER SECOND | | 1 | 1 | \$2.85 | \$1.43 |
| 5 | WD250-354 | 842645005855 | BOLT, ENGINE BRACKET | | 1 | 1 | \$2.85 | \$1.43 |
| 6 | WD250-355 | 842645005862 | SHAFT, ENGINE | | 1 | 1 | \$3.65 | \$1.83 |
| 7 | WD250-356 | 842645005879 | NUT GB6187-86 | | 3 | 3 | \$2.25 | \$1.13 |
| 8 | WD250-357 | 842645005886 | ENGINE BRACKET COMP REAR | | 1 | 1 | \$24.00 | \$12.00 |
| 9 | WD250-358 | 842645005893 | SPACER MIDDLE | | 1 | 1 | \$1.95 | \$0.98 |
| 10 | WD250-359 | 842645005909 | BOLT II, ENGINE FIXXED | | 1 | 1 | \$3.95 | \$1.98 |
| 11 | WD250-360 | 842645005916 | RUBBER, ENGINE BRACKET | | 1 | 1 | \$2.25 | \$1.13 |
| 12 | WD250-361 | 842645005923 | BOLT GB5789-86 | | 2 | 2 | \$1.50 | \$0.75 |
| 13 | WD250-362 | 842645005930 | NUT GB6177-86 | | 2 | 2 | \$1.50 | \$0.75 |
| | | | | | | | | |
| | | | | | | | | |
| | | | | | | | | |
| | | | | | | | | |
| | | | | | | | | |

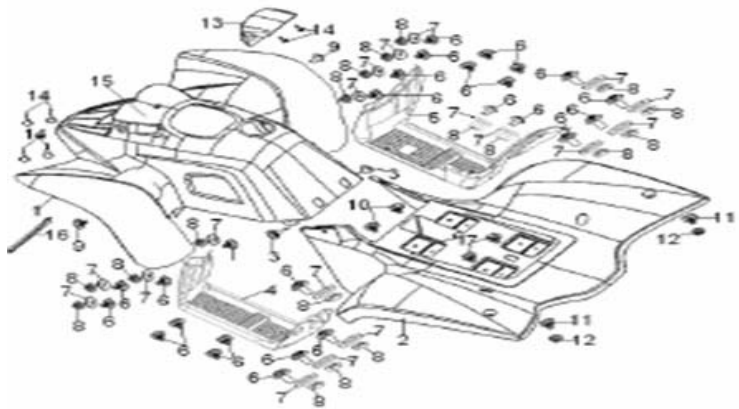

| DRIVE SYSTEM | | MODEL WD250, BAJA250 | | | | | | | |
|------------------------------------------------------------------------------------|-----------|----------------------|--------------------------------------|------------------|-----------------------|------|---------|-------------|--|
|  | | | | | | | | | |
|  | | | | | | | | | |
| Item No. | Part No. | UPC Number | Description | Baja Description | Qty Shipped per order | Qty. | MSRP | Dealer Cost | |
| 1 | WD250-363 | 842645005947 | HUB,CHAIN WHEEL | | 1 | 1 | \$11.25 | \$5.63 | |
| 2 | WD250-364 | 842645005954 | CHAIN WHEEL (41TEETH)(SPROCKET REAR) | SPROCKET, AXLE | 1 | 1 | \$19.95 | \$9.98 | |
| 3 | WD250-365 | 842645005961 | DRIVE AXIS(AXLE) | | 1 | 1 | \$92.50 | \$46.25 | |
| 4 | WD250-366 | 842645005978 | GAINE I | | 1 | 1 | \$7.15 | \$3.58 | |
| 5 | WD250-367 | 842645005985 | GAINE II | | 1 | 1 | \$2.25 | \$1.13 | |
| 6 | WD250-368 | 842645005992 | SEAT, BRAKE CLAMP | | 1 | 1 | \$3.20 | \$1.60 | |
| 7 | WD250-369 | 842645006005 | SEAT, BRAKE DISC | | 1 | 1 | \$13.00 | \$6.50 | |
| 8 | WD250-370 | 842645006012 | SEAT, REAR WHEEL | | 1 | 2 | \$15.85 | \$7.93 | |
| 9 | WD250-371 | 842645006029 | AXLE HOUSING | | 1 | 1 | \$27.50 | \$13.75 | |
| 10 | WD250-372 | 842645006036 | BEARING GB276/T-94 | | 1 | 2 | \$9.50 | \$4.75 | |
| 11 | WD250-373 | 842645006043 | WASHER | | 1 | 2 | \$0.50 | \$0.25 | |
| 12 | WD250-374 | 842645006050 | FIXING BOLT I | | 3 | 8 | \$3.00 | \$1.50 | |
| 13 | WD250-375 | 842645006067 | BOLT, CHAIN | | 1 | 4 | \$0.75 | \$0.38 | |
| 14 | WD250-376 | 842645006074 | BOLT, BRAKE DISC | | 4 | 4 | \$3.00 | \$1.50 | |
| 15 | WD250-377 | 842645006081 | COVER, DUSTPROOF | | 1 | 2 | \$1.85 | \$0.93 | |
| 16 | WD250-378 | 842645006098 | CLIP | | 1 | 1 | \$1.45 | \$0.73 | |
| | | | | | | | | | |
| | | | | | | | | | |
| | | | | | | | | | |

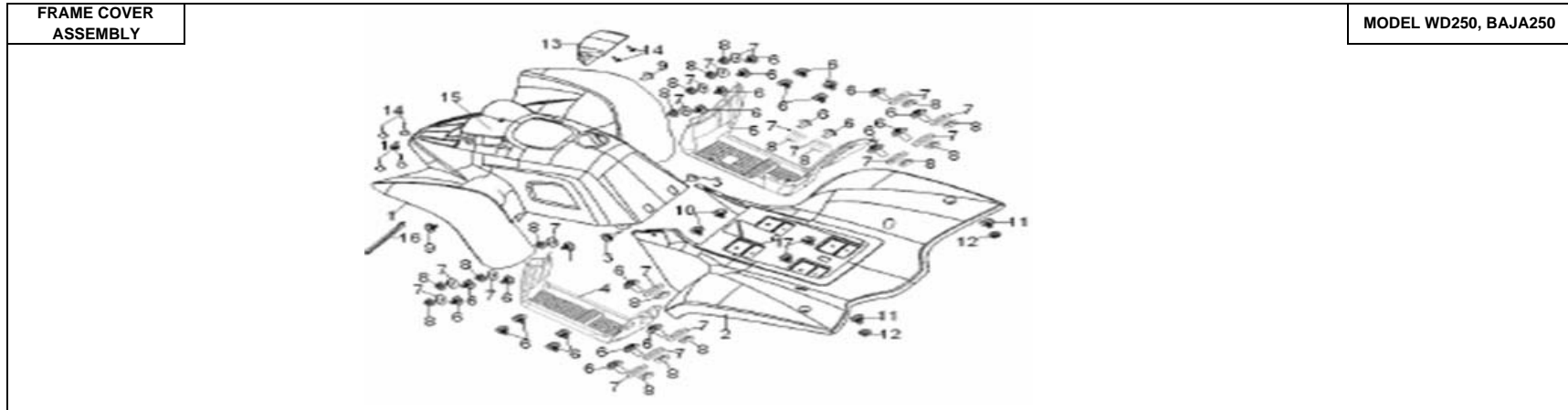
| DRIVE SYSTEM | | MODEL WD250, BAJA250 | | | | | | | |
|--------------|-----------|----------------------|-------------------------------|------------------|-----------------------|------|---------|-------------|--|
| | | | | | | | | | |
| Item No. | Part No. | UPC Number | Description | Baja Description | Qty Shipped per order | Qty. | MSRP | Dealer Cost | |
| 17 | WD250-379 | 842645006104 | CHAIN GB/T14212-93 | OLD | 1 | 1 | \$18.50 | \$9.25 | |
| 17 | WD250-914 | 883099061776 | CHAIN | NEW | 1 | 1 | \$18.50 | \$9.25 | |
| 18 | WD250-380 | 842645006111 | WASHER GB95-86 | | 2 | 1 | \$1.00 | \$0.50 | |
| 19 | WD250-381 | 842645006128 | CASTLE NUT GB6179-86 | | 2 | 2 | \$1.50 | \$0.75 | |
| 20 | WD250-382 | 842645006135 | NUT GB6187-86 | | 5 | 12 | \$3.75 | \$1.88 | |
| 21 | WD250-383 | 842645006142 | CIRCLIP GB894.2-86 | | 1 | 1 | \$1.25 | \$0.63 | |
| 22 | WD250-384 | 842645006159 | CIRCLIP GB894.2-86 | | 1 | 1 | \$1.25 | \$0.63 | |
| 23 | WD250-385 | 842645006166 | NUTGB5787 | | 1 | 2 | \$0.75 | \$0.38 | |
| 24 | WD250-386 | 842645006173 | SPLIT PIN GB91-86(COTTER PIN) | | 2 | 2 | \$1.00 | \$0.50 | |
| 25 | WD250-387 | 842645006180 | WASHER, LOCK | | 1 | 1 | \$0.50 | \$0.25 | |
| 26 | WD250-388 | 842645006197 | DUST SEALCOMP. | | 2 | 2 | \$1.90 | \$0.95 | |
| 27 | WD250-389 | 842645006203 | O RING GB3452.1-86 | | 1 | 2 | \$1.10 | \$0.55 | |
| | | | | | | | | | |
| | | | | | | | | | |
| | | | | | | | | | |
| | | | | | | | | | |
| | | | | | | | | | |
| | | | | | | | | | |
| | | | | | | | | | |

| | | |
|----------------------|--|-----------------------------|
| REAR ABSORBER | | MODEL WD250, BAJA250 |
|----------------------|--|-----------------------------|



| Item No. | Part No. | UPC Number | Description | Baja Description | Qty Shipped per order | Qty. | MSRP | Dealer Cost |
|----------|-----------|--------------|---------------------|------------------|-----------------------|------|---------|-------------|
| 1 | WD250-390 | 842645006210 | BOLT GB5789-86 | | 1 | 1 | \$2.75 | \$1.38 |
| 2 | WD250-391 | 842645006227 | NUT GB6187-86 | | 1 | 1 | \$0.75 | \$0.38 |
| 3 | WD250-392 | 842645006234 | REAR ABSORBER ASSY. | | 1 | 1 | \$65.00 | \$32.50 |
| 4 | WD250-393 | 842645006241 | BOLT GB5789-86 | | 1 | 1 | \$1.50 | \$0.75 |
| 5 | WD250-394 | 842645006258 | NUT GB6187-86 | | 1 | 1 | \$0.75 | \$0.38 |
| | | | | | | | | |
| | | | | | | | | |
| | | | | | | | | |
| | | | | | | | | |
| | | | | | | | | |
| | | | | | | | | |
| | | | | | | | | |
| | | | | | | | | |
| | | | | | | | | |
| | | | | | | | | |
| | | | | | | | | |
| | | | | | | | | |
| | | | | | | | | |
| | | | | | | | | |
| | | | | | | | | |
| | | | | | | | | |
| | | | | | | | | |

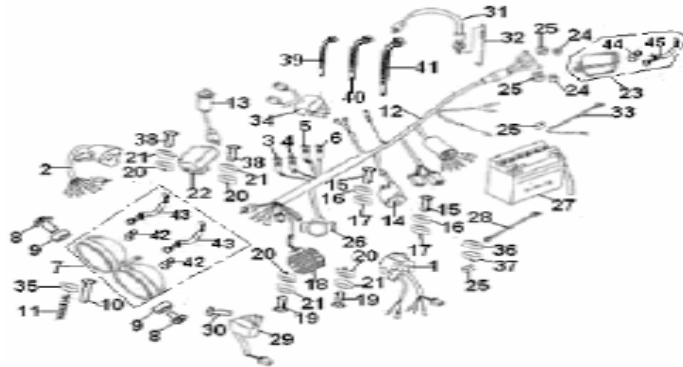
| FRAME COVER ASSEMBLY | | MODEL WD250, BAJA250 | | | | | | |
|------------------------------------------------------------------------------------|-----------|----------------------|----------------------------|---------------------------------------|-----------------------|------|----------|-------------|
|  | | | | | | | | |
|  | | | | | | | | |
| Item No. | Part No. | UPC Number | Description | Baja Description | Qty Shipped per order | Qty. | MSRP | Dealer Cost |
| 1 | WD250-395 | 842645001314 | FRONT FENDER | FENDER, FRONT (RED) | 1 | 1 | \$148.16 | \$74.08 |
| 2 | WD250-396 | 842645001321 | REAR FENDER | FENDER, REAR (RED) | 1 | 1 | \$148.16 | \$74.08 |
| 1 | WD250-887 | 842645043154 | FRONT FENDER | FENDER, FRONT (GREEN) | 1 | 1 | \$148.16 | \$74.08 |
| 2 | WD250-888 | 842645043161 | REAR FENDER | FENDER, REAR (GREEN) | 1 | 1 | \$148.16 | \$74.08 |
| 3 | WD250-397 | 842645006289 | TAPING SCREW GB845-85 | | 1 | 4 | \$0.50 | \$0.25 |
| 4 | WD250-398 | 842645001338 | FOOT REST COVER LH | FOOT REST LEFT (FRT & REAR MUD FLAPS) | 1 | 1 | \$12.95 | \$6.48 |
| 5 | WD250-399 | 842645001345 | FOOT REST COVER RH | FOOT REST RGHT (FRT & REAR MUD FLAPS) | 1 | 1 | \$12.95 | \$6.48 |
| 6 | WD250-400 | 842645006319 | SCREW W/WASHER GB9074.6-88 | | 5 | 26 | \$2.50 | \$1.25 |
| 7 | WD250-401 | 842645006326 | WASHER GB96-85 | | 4 | 18 | \$2.00 | \$1.00 |
| 8 | WD250-402 | 842645006333 | NUT GB6170-86 | | 4 | 18 | \$3.00 | \$1.50 |
| 9 | WD250-403 | 842645006340 | SCREW W/WASHER GB9074.6-88 | | 4 | 2 | \$2.00 | \$1.00 |
| 10 | WD250-404 | 842645006357 | SCREW W/WASHER GB9074.6-88 | | 1 | 2 | \$0.50 | \$0.25 |
| 11 | WD250-405 | 842645006364 | SCREW W/WASHER GB9074.6-88 | | 2 | 2 | \$1.00 | \$0.50 |
| 12 | WD250-406 | 842645006371 | NUT GB6177-86 | | 2 | 2 | \$1.50 | \$0.75 |
| 13 | WD250-407 | 842645006388 | SMALL HOOD | SMALL HOOD (RED) | 1 | 1 | \$14.50 | \$7.25 |
| 13 | WD250-889 | 842645043178 | SMALL HOOD | SMALL HOOD (GREEN) | 1 | 1 | \$14.50 | \$7.25 |
| | | | | | | | | |
| | | | | | | | | |
| | | | | | | | | |



| Item No. | Part No. | UPC Number | Description | Baja Description | Qty Shipped per order | Qty. | MSRP | Dealer Cost |
|----------|-----------|--------------|----------------------------|--------------------------------|-----------------------|------|---------|-------------|
| 14 | WD250-408 | 842645006395 | TAPING SCREW GB845-85 | | 3 | 6 | \$1.50 | \$0.75 |
| 15 | WD250-409 | 842645006395 | FIXING COVER HEADLIGHT | FIXING COVER HEADLIGHT (RED) | 1 | 1 | \$15.50 | \$7.75 |
| 15 | WD250-890 | 842645043185 | FIXING COVER HEADLIGHT | FIXING COVER HEADLIGHT (GREEN) | 1 | 1 | \$15.50 | \$7.75 |
| 16 | WD250-410 | 842645006418 | RUBBER REGULAR 185MM | | 1 | 1 | \$1.10 | \$0.55 |
| 17 | WD250-411 | 842645006425 | SCREW W/WASHER GB9074.6-88 | | 2 | 2 | \$1.00 | \$0.50 |
| | | | | | | | | |
| | | | | | | | | |
| | | | | | | | | |
| | | | | | | | | |
| | | | | | | | | |
| | | | | | | | | |
| | | | | | | | | |
| | | | | | | | | |
| | | | | | | | | |
| | | | | | | | | |
| | | | | | | | | |
| | | | | | | | | |
| | | | | | | | | |
| | | | | | | | | |
| | | | | | | | | |
| | | | | | | | | |
| | | | | | | | | |

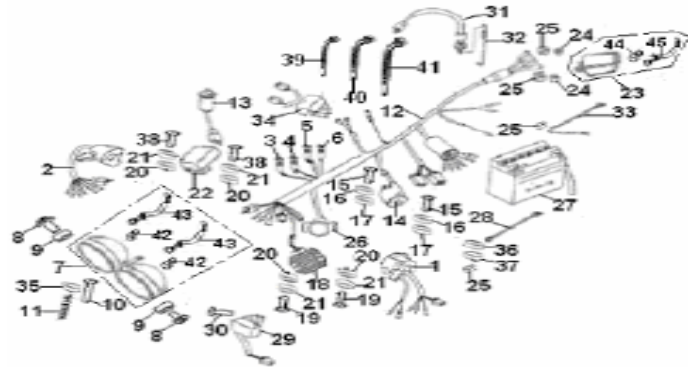
ELECTRIC ASSEMBLY

MODEL WD250, BAJA250



| Item No. | Part No. | UPC Number | Description | Baja Description | Qty Shipped per order | Qty. | MSRP | Dealer Cost |
|----------|-----------|--------------|-----------------------------------|-------------------------------|-----------------------|------|---------|-------------|
| 1 | WD250-412 | 842645006432 | SWITCH ASSY., HANDLE L. | | 1 | 1 | \$13.50 | \$6.75 |
| 2 | WD250-413 | 842645006449 | SWITCH ASSY., HANDLE R. | THROTTLE ASSEMBLY, RIGHT SIDE | 1 | 1 | \$9.50 | \$4.75 |
| 3 | WD250-414 | 842645006456 | INDICATOR LIGHT(TEMP)(RED) | | 1 | 1 | \$3.20 | \$1.60 |
| 4 | WD250-415 | 842645006463 | INDICATOR LIGHT , REVERSING(RED) | | 1 | 1 | \$3.20 | \$1.60 |
| 5 | WD250-416 | 842645006470 | INDICATOR LIGHT GEARSHIFT)(GREEN) | | 1 | 1 | \$3.20 | \$1.60 |
| 6 | WD250-417 | 842645006487 | INDICATOR LIGHT ADVANCING(BLUE) | | 1 | 1 | \$3.20 | \$1.60 |
| 7 | WD250-418 | 842645001352 | HEADLIGHT ASSY. | | 1 | 1 | \$90.00 | \$45.00 |
| 8 | WD250-419 | 842645006500 | SCREW W/WASHER GB9074.6-88 | | 2 | 2 | \$0.10 | \$0.05 |
| 9 | WD250-420 | 842645006517 | CUSHION | | 2 | 2 | \$1.90 | \$0.95 |
| 10 | WD250-421 | 842645006524 | SCREW, ADJUSTER | | 1 | 1 | \$0.75 | \$0.38 |
| 11 | WD250-422 | 842645006531 | SPRING, ADJUSTER | | 1 | 1 | \$1.25 | \$0.63 |
| 12 | WD250-423 | 842645006548 | HARNESS ASSY., WIRING | | 1 | 1 | \$32.50 | \$16.25 |
| 13 | WD250-424 | 842645001369 | LOCK ASSY., POWER | KEY SWITCH, IGNITION | 1 | 1 | \$21.95 | \$10.98 |
| 14 | WD250-425 | 842645006562 | COIL, IGNITION | | 1 | 1 | \$14.50 | \$7.25 |
| 15 | WD250-426 | 842645006579 | SCREW GB818-85 | | 4 | 2 | \$2.00 | \$1.00 |
| 16 | WD250-427 | 842645006586 | WASHER GB93-87 | | 1 | 2 | \$0.50 | \$0.25 |
| | | | | | | | | |
| | | | | | | | | |
| | | | | | | | | |

ELECTRIC ASSEMBLY **MODEL WD250, BAJA250**

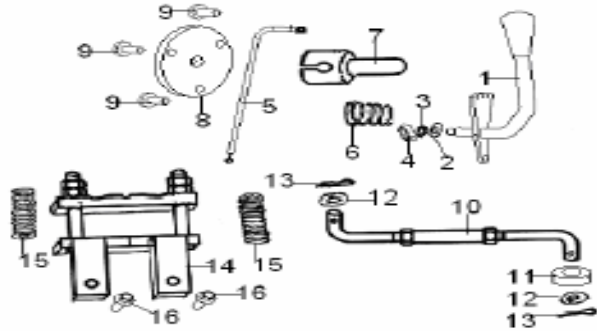



| Item No. | Part No. | UPC Number | Description | Baja Description | Qty Shipped per order | Qty. | MSRP | Dealer Cost |
|----------|-----------|--------------|---------------------|------------------|-----------------------|------|---------|-------------|
| 17 | WD250-428 | 842645006593 | WASHER GB97.1-85 | | 3 | 2 | \$1.50 | \$0.75 |
| 18 | WD250-429 | 842645006609 | RECTIFIER | | 1 | 1 | \$28.50 | \$14.25 |
| 19 | WD250-430 | 842645006616 | SCREW GB818-85 | | 1 | 2 | \$0.50 | \$0.25 |
| 20 | WD250-431 | 842645006623 | WASHER GB97.1-85 | | 2 | 4 | \$1.00 | \$0.50 |
| 21 | WD250-432 | 842645006630 | WASHER GB93-87 | | 4 | 4 | \$2.00 | \$1.00 |
| 22 | WD250-433 | 842645006647 | C.D.I | | 1 | 1 | \$18.50 | \$9.25 |
| 23 | WD250-434 | 842645001376 | TAIL LAMP | | 1 | 1 | \$13.50 | \$6.75 |
| 24 | WD250-435 | 842645006661 | WASHER GB96-85 | | 2 | 2 | \$1.00 | \$0.50 |
| 25 | WD250-436 | 842645006678 | NUT GB6177-86 | | 4 | 4 | \$3.00 | \$1.50 |
| 26 | WD250-437 | 842645006685 | RELAY, STARTER | | 1 | 1 | \$14.50 | \$7.25 |
| 27 | WD250-438 | 842645001383 | BATTERY 12N9-4B-1 | | 1 | 1 | \$35.00 | \$17.50 |
| 28 | WD250-439 | 842645006708 | MOTOR WIRING | | 1 | 1 | \$3.80 | \$1.90 |
| 29 | WD250-440 | 842645006715 | CONTROL, GEAR SHIFT | | 1 | 1 | \$14.50 | \$7.25 |
| 30 | WD250-441 | 842645006722 | SCREW GB818-85 | | 4 | 1 | \$2.00 | \$1.00 |
| 31 | WD250-442 | 842645006739 | SWITCH, REAR BRAKE | | 1 | 1 | \$6.95 | \$3.48 |
| 32 | WD250-443 | 842645006746 | SPRING BRAKE SWITCH | | 1 | 1 | \$2.85 | \$1.43 |
| | | | | | | | | |
| | | | | | | | | |
| | | | | | | | | |

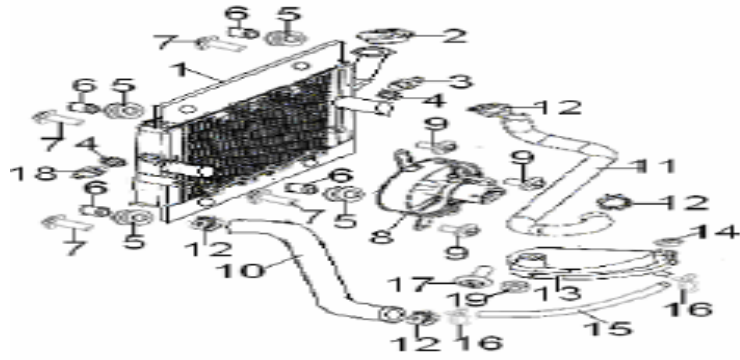
| ELECTRIC ASSEMBLY | | MODEL WD250, BAJA250 | | | | | | | |
|-------------------|-----------|----------------------|----------------------------|------------------|-----------------------|------|---------|-------------|--|
| | | | | | | | | | |
| | | | | | | | | | |
| Item No. | Part No. | UPC Number | Description | Baja Description | Qty Shipped per order | Qty. | MSRP | Dealer Cost | |
| 33 | WD250-444 | 842645006753 | WIRE EARTH | | 1 | 1 | \$4.85 | \$2.43 | |
| 34 | WD250-445 | 842645006760 | DIODE COMP. | | 1 | 1 | \$6.50 | \$3.25 | |
| 35 | WD250-446 | 842645006777 | WASHER GB96-85 | | 2 | 1 | \$1.00 | \$0.50 | |
| 36 | WD250-447 | 842645006784 | WASHER GB97.1-85 | | 1 | 1 | \$0.50 | \$0.25 | |
| 37 | WD250-448 | 842645006791 | WASHER GB93-87 | | 1 | 1 | \$0.50 | \$0.25 | |
| 38 | WD250-449 | 842645006807 | SCREW GB818-85 | | 2 | 2 | \$1.00 | \$0.50 | |
| 39 | WD250-450 | 842645006814 | BAND 8x150mm | | 3 | 9 | \$1.50 | \$0.75 | |
| 40 | WD250-451 | 842645006821 | BAND 8x200mm | | 2 | 2 | \$1.00 | \$0.50 | |
| 41 | WD250-452 | 842645006838 | BAND 8X250MM | | 1 | 1 | \$0.50 | \$0.25 | |
| 42 | WD250-453 | 842645001390 | HEADLIGHT BULB 12V 18/18W | | 1 | 2 | \$1.85 | \$0.93 | |
| 43 | WD250-454 | 842645006845 | WIRING ASSY. HEAD LIGHT | | 1 | 2 | \$4.85 | \$2.43 | |
| 44 | WD250-455 | 842645001413 | TAIL LIGHT BULB 12V 10/5W | | 1 | 1 | \$1.95 | \$0.98 | |
| 45 | WD250-456 | 842645006876 | WIRING ASSEMBLY TAIL LIGHT | | 1 | 1 | \$44.85 | \$22.43 | |
| | | | | | | | | | |
| | | | | | | | | | |
| | | | | | | | | | |
| | | | | | | | | | |
| | | | | | | | | | |

| TOOL KIT | | MODEL WD250, BAJA250 | | | | | | | |
|----------|-----------|----------------------|-----------------------------------|-------------------------------|-----------------------|------|--------|-------------|--|
| | | | | | | | | | |
| Item No. | Part No. | UPC Number | Description | Baja Description | Qty Shipped per order | Qty. | MSRP | Dealer Cost | |
| 1 | WD250-457 | 842645006883 | BRACKET MOUNTING., TOOL BOX | | 1 | 1 | \$3.85 | \$1.93 | |
| | WD250-458 | 842645006890 | TOOLS BOX COMP.(INCLUDES)#s3.4.5. | | 1 | 1 | \$6.00 | \$3.00 | |
| 3 | WD250-459 | 842645006906 | BOX TOOLS | | 1 | 1 | \$8.95 | \$4.48 | |
| 4 | WD250-460 | 842645006913 | BOX COVER TOOLS | | 1 | 1 | \$2.50 | \$1.25 | |
| 5 | WD250-461 | 842645006920 | BAND, TOOL BOX | | 2 | 1 | \$9.70 | \$4.85 | |
| 6 | WD250-462 | 842645006937 | GASKET | | 2 | 2 | \$1.90 | \$0.95 | |
| 7 | WD250-463 | 842645006944 | BOLT GB5789-86 | | 2 | 2 | \$1.50 | \$0.75 | |
| 8 | WD250-464 | 842645006951 | BAG, TOOLS | | 1 | 1 | \$1.95 | \$0.98 | |
| 9 | | | DRIVER SCREW | AVAILABLE WITH PART WD250-464 | | 1 | | | |
| 10 | | | HANDLE | AVAILABLE WITH PART WD250-464 | | 1 | | | |
| 11 | | | WRENCH. BOX | AVAILABLE WITH PART WD250-464 | | 1 | | | |
| 12 | | | SPANNER 10x12 | AVAILABLE WITH PART WD250-464 | | 1 | | | |
| 13 | | | SPANNER 13x16 | AVAILABLE WITH PART WD250-464 | | 1 | | | |
| 14 | | | SPANNER 14x17 | AVAILABLE WITH PART WD250-464 | | 1 | | | |
| 15 | | | ADJUST HANDLE ,10X180 | AVAILABLE WITH PART WD250-464 | | 1 | | | |
| 16 | WD250-472 | 842645007033 | ADJUSTER R25 | | 1 | 1 | \$2.85 | \$1.43 | |
| | | | | | | | | | |
| | | | | | | | | | |
| | | | | | | | | | |

| TOOL KIT | | MODEL WD250, BAJA250 | | | | | | | |
|----------|-----------|----------------------|----------------------------------------|------------------|-----------------------|------|---------|-------------|--|
| | | | | | | | | | |
| | | | | | | | | | |
| Item No. | Part No. | UPC Number | Description | Baja Description | Qty Shipped per order | Qty. | MSRP | Dealer Cost | |
| 17 | WD250-473 | 842645007040 | ADJUSTER R37.5 | | 1 | 1 | \$2.85 | \$1.43 | |
| 18 | WD250-474 | 842645007057 | FILTER (WITH PLASTIC PIPE) ??? FUEL??? | | 1 | 1 | \$1.85 | \$0.93 | |
| 19 | WD250-475 | 842645007064 | BAROMETER ??? | | 1 | 1 | \$20.00 | \$10.00 | |
| | | | | | | | | | |
| | | | | | | | | | |
| | | | | | | | | | |
| | | | | | | | | | |
| | | | | | | | | | |
| | | | | | | | | | |
| | | | | | | | | | |
| | | | | | | | | | |
| | | | | | | | | | |
| | | | | | | | | | |
| | | | | | | | | | |
| | | | | | | | | | |
| | | | | | | | | | |
| | | | | | | | | | |
| | | | | | | | | | |
| | | | | | | | | | |
| | | | | | | | | | |
| | | | | | | | | | |
| | | | | | | | | | |
| | | | | | | | | | |
| | | | | | | | | | |
| | | | | | | | | | |
| | | | | | | | | | |
| | | | | | | | | | |
| | | | | | | | | | |

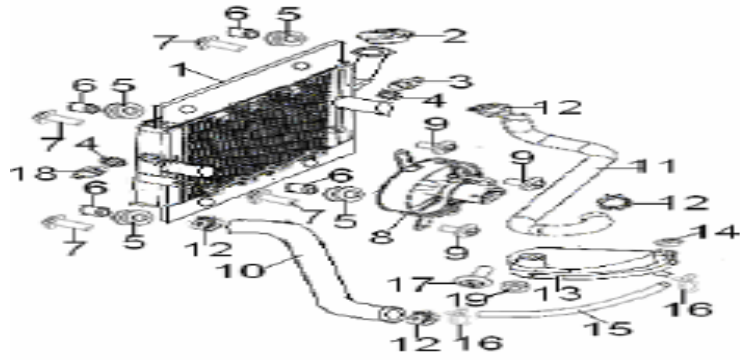
| SHIFTER | | MODEL WD250, BAJA250 | | | | | | |
|------------------------------------------------------------------------------------|-----------|----------------------|-------------------------------|-------------------|-----------------------|------|---------|-------------|
|  | | | | | | | | |
|  | | | | | | | | |
| Item No. | Part No. | UPC Number | Description | Baja Description | Qty Shipped per order | Qty. | MSRP | Dealer Cost |
| 1 | WD250-476 | 842645007071 | HANDLE COMP GEAR SHIFT | | 1 | 1 | \$16.95 | \$8.48 |
| 2 | WD250-477 | 842645007088 | WASHER GB96-85 | | 1 | 1 | \$0.50 | \$0.25 |
| 3 | WD250-478 | 842645007095 | WASHER GB93-87 | | 1 | 1 | \$0.50 | \$0.25 |
| 4 | WD250-479 | 842645007101 | NUT GB6170-86 | | 1 | 1 | \$0.95 | \$0.48 |
| 5 | WD250-480 | 842645007118 | WIRE, GEAR SHIFT | | 1 | 1 | \$6.95 | \$3.48 |
| 6 | WD250-481 | 842645007125 | SPRING, PRESSING | | 1 | 1 | \$2.85 | \$1.43 |
| 7 | WD250-482 | 842645007132 | PIN , ORIENTATING | | 1 | 1 | \$1.85 | \$0.93 |
| 8 | WD250-483 | 842645007149 | PLATE, FIXING | | 1 | 1 | \$6.00 | \$3.00 |
| 9 | WD250-484 | 842645007156 | SCREW GB818-85 | | 3 | 3 | \$1.50 | \$0.75 |
| 10 | WD250-485 | 842645007163 | POLE COMP GEAR SHIFT | | 1 | 1 | \$11.95 | \$5.98 |
| 11 | WD250-486 | 842645007170 | RUBBER CUSHION | | 2 | 1 | \$2.00 | \$1.00 |
| 12 | WD250-487 | 842645007187 | WASHER GB97.1-86 | | 1 | 1 | \$0.50 | \$0.25 |
| 13 | WD250-488 | 842645007194 | SPLIT PIN GB91-86(COTTER PIN) | | 1 | 2 | \$0.50 | \$0.25 |
| 14 | WD250-489 | 842645007200 | BRACKET GEAR SHIFT POLE | | 1 | 1 | \$10.95 | \$5.48 |
| 15 | WD250-490 | 842645007217 | SPRING | | 1 | 2 | \$3.85 | \$1.93 |
| 16 | WD250-491 | 842645007224 | BOLT GB5789-86 | | 4 | 2 | \$7.00 | \$3.50 |
| | WD250-884 | 842645055836 | BRACKET, L SHAPED | BRACKET, L SHAPED | 1 | 1 | \$4.95 | \$2.48 |
| | | | | | | | | |
| | | | | | | | | |

| | | |
|-----------------------|--|-----------------------------|
| COOLING SYSTEM | | MODEL WD250, BAJA250 |
|-----------------------|--|-----------------------------|



| Item No. | Part No. | UPC Number | Description | Baja Description | Qty Shipped per order | Qty. | MSRP | Dealer Cost |
|----------|-----------|--------------|--------------------------------------|------------------|-----------------------|------|----------|-------------|
| 1 | WD250-492 | 842645007231 | WATER TANK(RADIATOR) | | 1 | 1 | \$105.00 | \$52.50 |
| 2 | WD250-493 | 842645007248 | CAP, WATE RTANK(RADIATOR CAP) | | 1 | 1 | \$9.00 | \$4.50 |
| 3 | WD250-494 | 842645007255 | SENSOR TEMPERATURE(75°C)(THERMOSTAT) | | 1 | 1 | \$25.00 | \$12.50 |
| 4 | WD250-495 | 842645007262 | O RING 3.8 X 1.8 | | 1 | 2 | \$1.20 | \$0.60 |
| 5 | WD250-496 | 842645007279 | RUBBER COVER | | 1 | 4 | \$0.95 | \$0.48 |
| 6 | WD250-497 | 842645007286 | CUSHION | | 1 | 4 | \$0.95 | \$0.48 |
| 7 | WD250-498 | 842645007293 | SCREW W/WASHER GB9074.6-88 | | 1 | 4 | \$0.50 | \$0.25 |
| 8 | WD250-499 | 842645007309 | FAN (RADIATOR COOLING FAN) | | 1 | 1 | \$24.00 | \$12.00 |
| 9 | WD250-500 | 842645007316 | SCREW W/WASHER GB9074.6-88 | | 1 | 3 | \$0.50 | \$0.25 |
| 10 | WD250-501 | 842645007323 | TUBE, LEFT (RADIATOR HOSE) | | 1 | 1 | \$9.85 | \$4.93 |
| 11 | WD250-502 | 842645007330 | TUBE RIGHT (RADIATOR HOSE) | | 1 | 1 | \$7.75 | \$3.88 |
| 12 | WD250-503 | 842645007347 | CLIP | | 1 | 4 | \$1.00 | \$0.50 |
| 13 | WD250-504 | 842645007354 | ASSISTANT WATER TANK(OVERFLOW TANK)? | | 1 | 1 | \$24.00 | \$12.00 |
| 14 | WD250-505 | 842645007361 | CAP COMP., WATER TANK | | 1 | 1 | \$4.50 | \$2.25 |
| 15 | WD250-506 | 842645007378 | TUBE, EFFUSING | | 1 | 1 | \$1.65 | \$0.83 |
| 16 | WD250-507 | 842645007385 | CLIP | | 2 | 2 | \$1.90 | \$0.95 |
| | | | | | | | | |
| | | | | | | | | |
| | | | | | | | | |

| | |
|-----------------------|-----------------------------|
| COOLING SYSTEM | MODEL WD250, BAJA250 |
|-----------------------|-----------------------------|



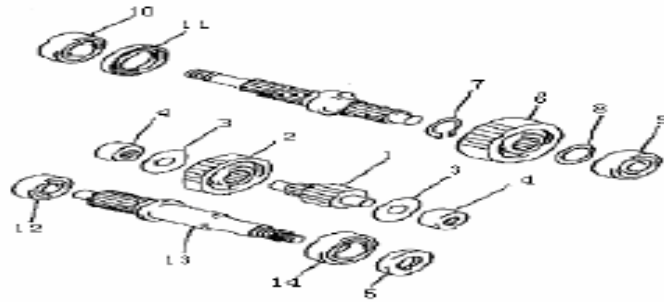
| Item No. | Part No. | UPC Number | Description | Baja Description | Qty Shipped per order | Qty. | MSRP | Dealer Cost |
|----------|-----------|--------------|--------------------------------------|------------------|-----------------------|------|---------|-------------|
| 17 | WD250-508 | 842645007392 | SCREW W/WASHER GB9074.6-88 | | 1 | 1 | \$0.50 | \$0.25 |
| 18 | WD250-509 | 842645007408 | SENSOR TEMPERATURE(98°C)(THERMOSTAT) | | 1 | 1 | \$27.00 | \$13.50 |
| 19 | WD250-510 | 842645007415 | RUBBER CUSHION | | 1 | 1 | \$0.95 | \$0.48 |
| | | | | | | | | |
| | | | | | | | | |
| | | | | | | | | |
| | | | | | | | | |
| | | | | | | | | |
| | | | | | | | | |
| | | | | | | | | |
| | | | | | | | | |
| | | | | | | | | |
| | | | | | | | | |
| | | | | | | | | |
| | | | | | | | | |
| | | | | | | | | |
| | | | | | | | | |



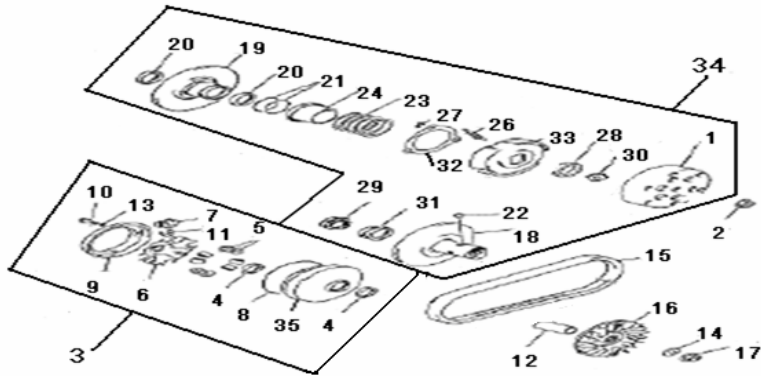

| DECALS | | | | | | | | | MODEL WD250, BAJA250 |
|----------|-----------|--------------|-------------------------------------|------------------|-----------------------|------|--------|-------------|----------------------|
| Item No. | Part No. | UPC Number | Description | Baja Description | Qty Shipped per order | Qty. | MSRP | Dealer Cost | |
| 1 | WD250-511 | 842645007422 | LOGO | | 1 | 1 | \$2.25 | \$1.13 | |
| 2 | WD250-512 | 842645007439 | STICKER COVER FENDER | | 1 | 2 | \$2.00 | \$1.00 | |
| 3 | WD250-513 | 842645007446 | STICKER FRONT FENDER LEFT | | 1 | 2 | \$1.75 | \$0.88 | |
| 4 | WD250-514 | 842645007453 | STICKER FRONT FENDER RIGHT | | 1 | 2 | \$1.75 | \$0.88 | |
| 5 | WD250-515 | 842645007460 | WARNIGN STICKERS I, II, III, IV & V | | 1 | 1 | \$9.20 | \$4.60 | |
| | | | | | | | | | |
| | | | | | | | | | |
| | | | | | | | | | |
| | | | | | | | | | |
| | | | | | | | | | |
| | | | | | | | | | |
| | | | | | | | | | |
| | | | | | | | | | |
| | | | | | | | | | |
| | | | | | | | | | |
| | | | | | | | | | |
| | | | | | | | | | |
| | | | | | | | | | |
| | | | | | | | | | |
| | | | | | | | | | |
| | | | | | | | | | |



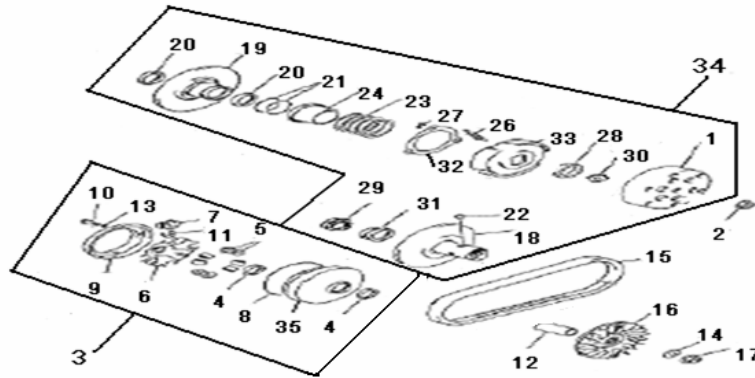
TRANSMISSION ASSEMBLY (LEFT) MODEL WD250, BAJA250



| Item No. | Part No. | UPC Number | Description | Baja Description | Qty Shipped per order | Qty. | MSRP | Dealer Cost |
|----------|-----------|--------------|--------------|------------------|-----------------------|------|---------|-------------|
| 1 | WD250-520 | 842645084171 | SHAFT, idle | | 1 | 1 | \$15.14 | \$7.57 |
| 2 | WD250-521 | 842645084188 | GEAR | | 1 | 1 | \$12.37 | \$6.19 |
| 3 | WD250-522 | 842645084195 | WASHER | | 2 | 2 | \$0.34 | \$0.17 |
| 4 | WD250-523 | 842645084201 | BEARING | NEEDLE BEARING | 2 | 2 | \$6.18 | \$3.09 |
| 5 | WD250-524 | 842645084218 | OIL SEAL | OIL SEAL | 1 | 1 | \$2.03 | \$1.02 |
| 6 | WD250-525 | 842645084225 | GEAR | | 1 | 1 | \$8.97 | \$4.49 |
| 7 | WD250-526 | 842645084232 | CIRCLIP | | 1 | 1 | \$0.64 | \$0.32 |
| 8 | WD250-527 | 842645084249 | WASHER | | 1 | 1 | \$0.32 | \$0.16 |
| 9 | WD250-528 | 842645084256 | BEARING | | 1 | 1 | \$7.55 | \$3.78 |
| 10 | WD250-529 | 842645084263 | BEARING | | 1 | 1 | \$7.80 | \$3.90 |
| 11 | WD250-530 | 842645084270 | OIL SEAL | | 1 | 1 | \$1.75 | \$0.88 |
| 12 | WD250-531 | 842645084287 | BEARING 6203 | | 1 | 1 | \$6.02 | \$3.01 |
| 13 | WD250-532 | 842645084294 | SHAFT | | 1 | 1 | \$24.95 | \$12.48 |
| 14 | WD250-533 | 842645084300 | BEARING | | 1 | 1 | \$7.80 | \$3.90 |
| | | | | | | | | |
| | | | | | | | | |
| | | | | | | | | |
| | | | | | | | | |

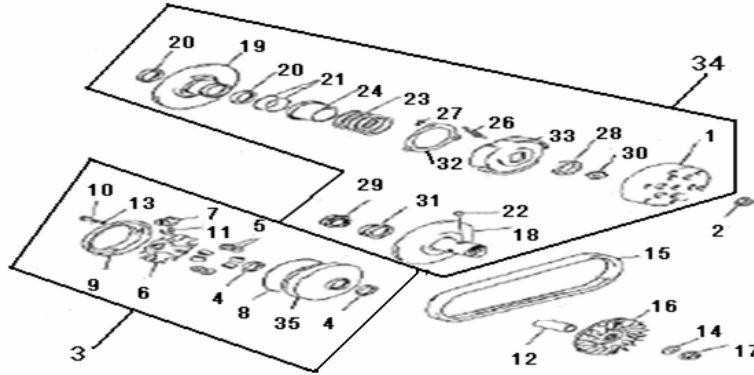
| CLUTCH ASSEMBLY | | MODEL WD250, BAJA250 | | | | | | | |
|------------------------------------------------------------------------------------|-----------|----------------------|---------------------------------|--------------------------------|-----------------------|------|---------|-------------|--|
|  | | | | | | | | | |
|  | | | | | | | | | |
| Item No. | Part No. | UPC Number | Description | Baja Description | Qty Shipped per order | Qty. | MSRP | Dealer Cost | |
| 1 | WD250-534 | 842645084317 | HOUSING, clutch | HOUSING, CLUTCH | 1 | 1 | \$41.73 | \$20.87 | |
| 2 | WD250-535 | 842645084324 | NUT | NUT | 2 | 1 | \$1.30 | \$0.65 | |
| 3 | WD250-536 | 842645084331 | FACE, movable drive(DRIVE ASSY) | PULLY ASSEMBLY MOVEABLE DRIVEN | 1 | 1 | \$94.33 | \$47.17 | |
| 4 | WD250-537 | 842645084348 | OIL SEAL | OIL SEAL | 2 | 2 | \$7.90 | \$3.95 | |
| 5 | WD250-538 | 842645084355 | ROLLER | ROLLER | 4 | 8 | \$13.80 | \$6.90 | |
| 6 | WD250-539 | 842645084362 | PLATE MOVEABLE DRIVE | PLATE MOVEABLE DRIVE | 1 | 1 | \$9.50 | \$4.75 | |
| 7 | WD250-540 | 842645084379 | DAMPER | DAMPER | 4 | 4 | \$7.80 | \$3.90 | |
| 8 | WD250-541 | 842645084386 | O RING | O RING | 1 | 1 | \$6.95 | \$3.48 | |
| 9 | WD250-542 | 842645084393 | COVER | COVER | 1 | 1 | \$7.30 | \$3.65 | |
| 10 | WD250-543 | 842645084409 | SCREW | SCREW | 4 | 4 | \$1.60 | \$0.80 | |
| 11 | WD250-544 | 842645084416 | KICKSTAND | KICKSTAND | 4 | 4 | \$2.80 | \$1.40 | |
| 12 | WD250-545 | 842645084423 | COLLAR | COLLAR | 1 | 1 | \$7.85 | \$3.93 | |
| 13 | WD250-546 | 842645084430 | WASHER | WASHER | 1 | 4 | \$0.30 | \$0.15 | |
| 14 | WD250-547 | 842645084447 | WASHER | WASHER | 1 | 1 | \$0.40 | \$0.20 | |
| 15 | WD250-548 | 842645084454 | V BELT, drive | V BELT, DRIVE | 1 | 1 | \$39.95 | \$19.98 | |
| 16 | WD250-549 | 842645084461 | FACE, fixed driven | FACE, FIXED DRIVEN | 1 | 1 | \$29.95 | \$14.98 | |
| | | | | | | | | | |
| | | | | | | | | | |
| | | | | | | | | | |

CLUTCH ASSEMBLY **MODEL WD250, BAJA250**

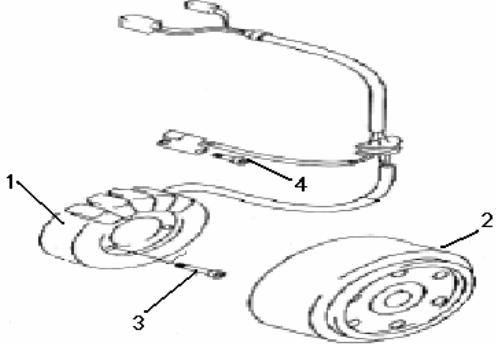



| Item No. | Part No. | UPC Number | Description | Baja Description | Qty Shipped per order | Qty. | MSRP | Dealer Cost |
|----------|-----------|--------------|-----------------------|-----------------------|-----------------------|------|---------|-------------|
| 17 | WD250-550 | 842645084478 | NUT | NUT | 1 | 1 | \$0.55 | \$0.28 |
| 18 | WD250-551 | 842645084485 | SHAFT ASSEMBLY DRIVEN | SHAFT ASSEMBLY DRIVEN | 1 | 1 | \$40.59 | \$20.30 |
| 19 | WD250-552 | 842645084492 | SHAFT ASSY, RIVEN | SHAFT ASSEMBLY DRIVEN | 1 | 1 | \$35.65 | \$17.83 |
| 20 | WD250-553 | 842645084508 | OIL SEAL | OIL SEAL | 2 | 2 | \$1.90 | \$0.95 |
| 21 | WD250-554 | 842645084515 | O RING | O RING | 2 | 2 | \$2.10 | \$1.05 |
| 22 | WD250-555 | 842645084522 | PIN | PIN | 4 | 4 | \$2.20 | \$1.10 |
| 23 | WD250-556 | 842645084539 | CLUTCH SPRING | CLUTCH SPRING | 1 | 1 | \$10.95 | \$5.48 |
| 24 | WD250-557 | 842645084546 | SHAFT, DRIVEN | SHAFT DRIVEN | 1 | 1 | \$14.48 | \$7.24 |
| 26 | WD250-559 | 842645084560 | CLUTCH PULL SPRING | CLUTCH PULL SPRING | 3 | 3 | \$4.95 | \$2.48 |
| 27 | WD250-560 | 842645084577 | CIRCLIP | CIRCLIP | 3 | 3 | \$0.90 | \$0.45 |
| 28 | WD250-561 | 842645084584 | BEARING | BEARING | 1 | 1 | \$11.22 | \$5.61 |
| 29 | WD250-562 | 842645084591 | OIL SEAL | OIL SEAL | 1 | 1 | \$2.93 | \$1.47 |
| 30 | WD250-563 | 842645084607 | NUT | NUT | 1 | 1 | \$0.40 | \$0.20 |
| 31 | WD250-564 | 842645084614 | BEARING | NEEDLE BEARING | 1 | 1 | \$11.22 | \$5.61 |
| 32 | WD250-565 | 842645084621 | HOLDER | HOLDER | 1 | 1 | \$4.95 | \$2.48 |
| | | | | | | | | |
| | | | | | | | | |
| | | | | | | | | |
| | | | | | | | | |

CLUTCH ASSEMBLY MODEL WD250, BAJA250

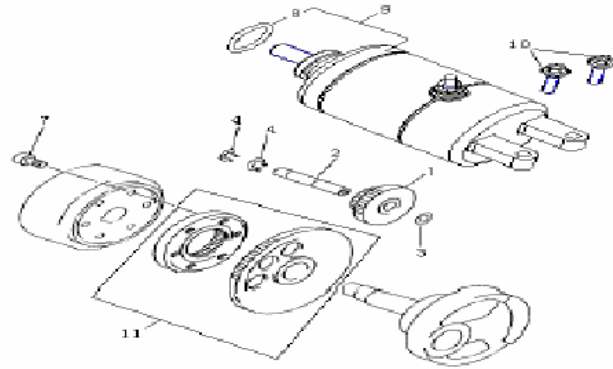


| Item No. | Part No. | UPC Number | Description | Baja Description | Qty Shipped per order | Qty. | MSRP | Dealer Cost |
|----------|-----------|--------------|------------------------------|-----------------------|-----------------------|------|----------|-------------|
| 33 | WD250-566 | 842645084638 | CLUTCH, SHOE | CLUTCH SHOES | 3 | 3 | \$81.15 | \$40.58 |
| 34 | WD250-567 | 842645084645 | CLUTCH | PULLY ASSEMBLY DRIVEN | 1 | 1 | \$212.00 | \$106.00 |
| 35 | WD250-569 | 842645084669 | SHAFT ASSY(DRIVEN UNIT ASSY) | FACE, PULLY ASSEMBLY | 1 | 1 | \$19.95 | \$9.98 |
| | | | | | | | | |
| | | | | | | | | |
| | | | | | | | | |
| | | | | | | | | |
| | | | | | | | | |
| | | | | | | | | |
| | | | | | | | | |
| | | | | | | | | |
| | | | | | | | | |
| | | | | | | | | |
| | | | | | | | | |
| | | | | | | | | |
| | | | | | | | | |
| | | | | | | | | |
| | | | | | | | | |
| | | | | | | | | |
| | | | | | | | | |
| | | | | | | | | |
| | | | | | | | | |
| | | | | | | | | |
| | | | | | | | | |
| | | | | | | | | |
| | | | | | | | | |

| | MAGNETO | | | | | | MODEL WD250, BAJA250 | | | |
|------------------------------------------------------------------------------------|-----------|--------------|--------------------------|------------------|-----------------------|------|----------------------|-------------|--|--|
|  | | | | | | | | | | |
|  | | | | | | | | | | |
| Item No. | Part No. | UPC Number | Description | Baja Description | Qty Shipped per order | Qty. | MSRP | Dealer Cost | | |
| 1 | WD250-571 | 842645084683 | STATOR | | 1 | 1 | \$24.20 | \$12.10 | | |
| 2 | WD250-572 | 842645084690 | STATOR ASSY | | 1 | 1 | \$32.74 | \$16.37 | | |
| 3 | WD250-573 | 842645084706 | SCREW | | 3 | 3 | \$2.55 | \$1.28 | | |
| 4 | WD250-574 | 842645084713 | SCREW | | 4 | 2 | \$3.40 | \$1.70 | | |
| | WD250-575 | 842645084720 | *MAGNETO ASSY=#S 1 AND 2 | | 1 | 1 | \$71.95 | \$35.98 | | |
| | | | | | | | | | | |
| | | | | | | | | | | |
| | | | | | | | | | | |
| | | | | | | | | | | |
| | | | | | | | | | | |
| | | | | | | | | | | |
| | | | | | | | | | | |
| | | | | | | | | | | |
| | | | | | | | | | | |
| | | | | | | | | | | |
| | | | | | | | | | | |
| | | | | | | | | | | |
| | | | | | | | | | | |
| | | | | | | | | | | |

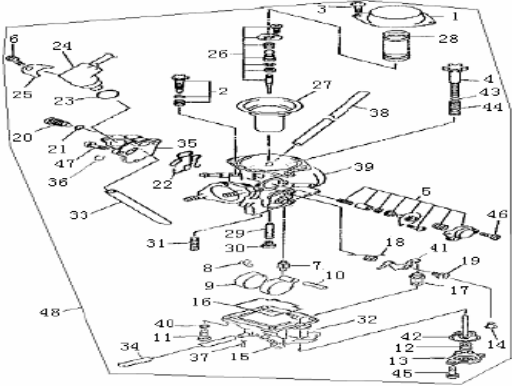
**ELECTRIC STARTER
& GEARS**

MODEL WD250, BAJA250

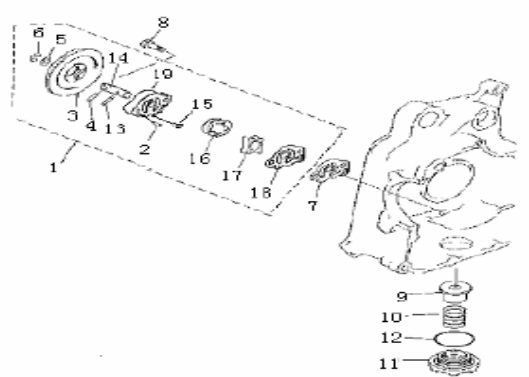



| Item No. | Part No. | UPC Number | Description | Baja Description | Qty Shipped per order | Qty. | MSRP | Dealer Cost |
|----------|-----------|--------------|-----------------------|-------------------------------|-----------------------|------|---------|-------------|
| 1 | WD250-576 | 842645084737 | GEAR,starter | | 1 | 1 | \$11.90 | \$5.95 |
| 2 | WD250-577 | 842645084744 | SHAFT | | 1 | 1 | \$1.10 | \$0.55 |
| 3 | WD250-578 | 842645084751 | WASHER | | 1 | 1 | \$0.85 | \$0.43 |
| 4 | WD250-579 | 842645084768 | CLIP | | 2 | 2 | \$1.70 | \$0.85 |
| 5 | | | BIG GEAR | AVAILABLE WITH PART WD250-586 | | 1 | | |
| 6 | | | CLUTCH COMP | AVAILABLE WITH PART WD250-586 | | 1 | | |
| 7 | WD250-582 | 842645084799 | SCREW | | 3 | 3 | \$2.55 | \$1.28 |
| 8 | WD250-583 | 842645084805 | O RING | | 2 | 1 | \$36.36 | \$18.18 |
| 9 | WD250-584 | 842645084812 | STARTING MOTOR ASSY | | 1 | 1 | \$1.04 | \$0.52 |
| 10 | WD250-585 | 842645084829 | BOLT | | 2 | 2 | \$2.08 | \$1.04 |
| 11 | WD250-586 | 842645084836 | START CLUTCH ASSY=4,5 | | 1 | 1 | \$72.74 | \$36.37 |
| | | | | | | | | |
| | | | | | | | | |
| | | | | | | | | |
| | | | | | | | | |
| | | | | | | | | |
| | | | | | | | | |
| | | | | | | | | |
| | | | | | | | | |

CARBURETOR MODEL WD250, BAJA250

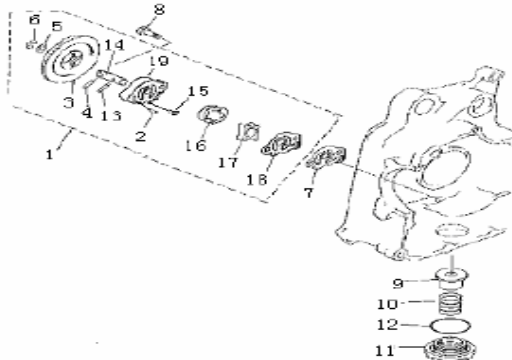


| Item No. | Part No. | UPC Number | Description | Baja Description | Qty Shipped per order | Qty. | MSRP | Dealer Cost |
|----------|-----------|--------------|-----------------|------------------|-----------------------|------|----------|-------------|
| 48 | WD250-634 | 842645085314 | CARBURETOR ASSY | CARBURETOR ASSY | 1 | 1 | \$140.00 | \$70.00 |
| | | | | | | | | |
| | | | | | | | | |
| | | | | | | | | |
| | | | | | | | | |
| | | | | | | | | |
| | | | | | | | | |
| | | | | | | | | |
| | | | | | | | | |
| | | | | | | | | |
| | | | | | | | | |
| | | | | | | | | |
| | | | | | | | | |
| | | | | | | | | |
| | | | | | | | | |
| | | | | | | | | |
| | | | | | | | | |
| | | | | | | | | |
| | | | | | | | | |
| | | | | | | | | |

| OIL PUMP ASSEMBLY | | MODEL WD250, BAJA250 | | | | | | | |
|------------------------------------------------------------------------------------|-----------|----------------------|------------------|-------------------------------|-----------------------|------|---------|-------------|--|
|  | | | | | | | | | |
|  | | | | | | | | | |
| Item No. | Part No. | UPC Number | Description | Baja Description | Qty Shipped per order | Qty. | MSRP | Dealer Cost | |
| 1 | WD250-635 | 842645085321 | OIL PUMP COMP | | 1 | 1 | \$15.25 | \$7.63 | |
| 2 | WD250-636 | 842645071775 | PIN | | 1 | 2 | | \$0.00 | |
| 3 | | | GEAR | AVAILABLE WITH PART WD250-635 | | 1 | | | |
| 4 | | | PIN | AVAILABLE WITH PART WD250-635 | | 1 | | | |
| 5 | | | WASHER | AVAILABLE WITH PART WD250-635 | | 1 | | | |
| 6 | | | CIRCLIP | AVAILABLE WITH PART WD250-635 | | 1 | | | |
| 7 | WD250-641 | 842645085338 | GASKET | | 1 | 1 | \$1.05 | \$0.53 | |
| 8 | WD250-642 | 842645085345 | SCREW | | 1 | 2 | \$0.85 | \$0.43 | |
| 9 | WD250-643 | 842645085352 | FILTER COMP | | 1 | 1 | \$1.07 | \$0.54 | |
| 10 | WD250-644 | 842645085369 | SPRING | | 1 | 1 | \$1.00 | \$0.50 | |
| 11 | WD250-645 | 842645085376 | BOLT, OIL FILTER | | 1 | 1 | \$1.15 | \$0.58 | |
| 12 | WD250-646 | 842645085383 | O RING | | 1 | 1 | \$0.95 | \$0.48 | |
| 13 | | | PIN | AVAILABLE WITH PART WD250-635 | | 1 | | | |
| 14 | | | SHAFT, OIL PUMP | AVAILABLE WITH PART WD250-635 | | 1 | | | |
| 15 | | | SCREW | AVAILABLE WITH PART WD250-635 | | 1 | | | |
| 16 | | | ROTOR, OUTER | AVAILABLE WITH PART WD250-635 | | 1 | | | |
| | | | | | | | | | |
| | | | | | | | | | |
| | | | | | | | | | |

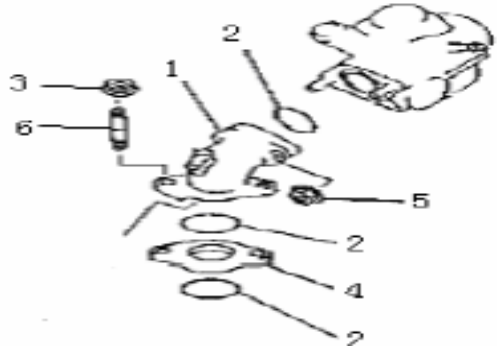
OIL PUMP ASSEMBLY

MODEL WD250, BAJA250

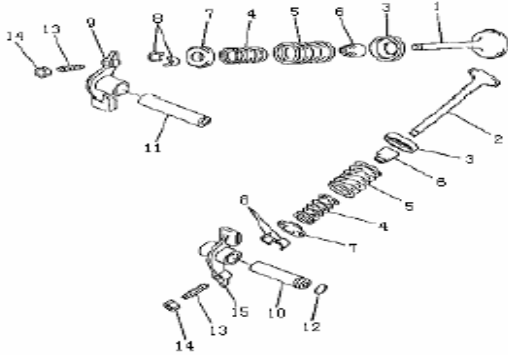



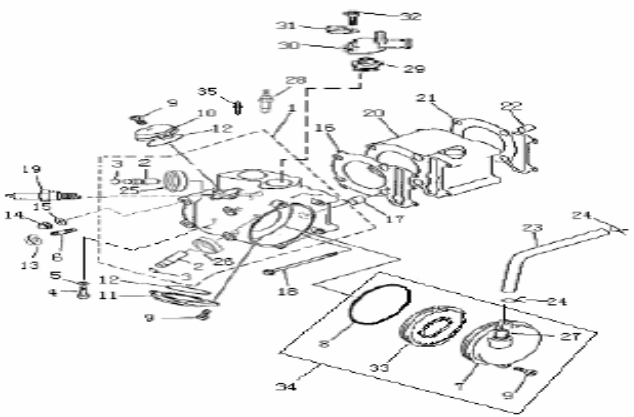

| Item No. | Part No. | UPC Number | Description | Baja Description | Qty Shipped per order | Qty. | MSRP | Dealer Cost |
|----------|-----------|--------------|----------------|-------------------------------|-----------------------|------|------|-------------|
| 17 | WD250-651 | 842645099922 | ROTOR, INNER | | 1 | 1 | | |
| 18 | | | CAP, OIL PUMP | AVAILABLE WITH PART WD250-635 | | 1 | | |
| 19 | | | BODY, OIL PUMP | AVAILABLE WITH PART WD250-635 | | 1 | | |
| | | | | | | | | |
| | | | | | | | | |
| | | | | | | | | |
| | | | | | | | | |
| | | | | | | | | |
| | | | | | | | | |
| | | | | | | | | |
| | | | | | | | | |
| | | | | | | | | |
| | | | | | | | | |
| | | | | | | | | |
| | | | | | | | | |
| | | | | | | | | |
| | | | | | | | | |
| | | | | | | | | |
| | | | | | | | | |
| | | | | | | | | |
| | | | | | | | | |
| | | | | | | | | |
| | | | | | | | | |

INTAKE PIPE ASSEMBLY MODEL WD250, BAJA250



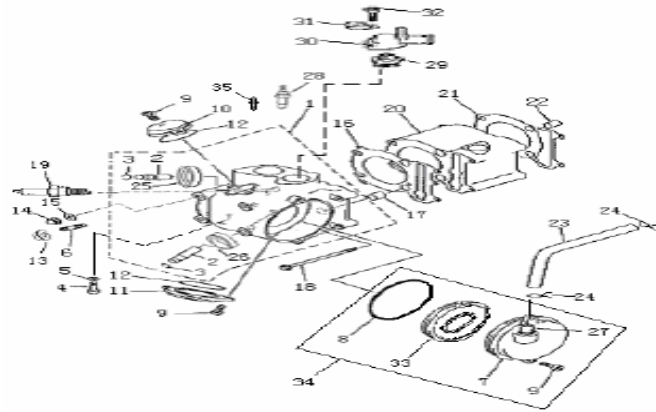
| Item No. | Part No. | UPC Number | Description | Baja Description | Qty Shipped per order | Qty. | MSRP | Dealer Cost |
|----------|-----------|--------------|------------------------|------------------|-----------------------|------|--------|-------------|
| 1 | WD250-654 | 842645085390 | PIPE COMP. INTAKE | | 1 | 1 | \$7.44 | \$3.72 |
| 2 | WD250-655 | 842645085406 | O RING | | 3 | 3 | \$2.85 | \$1.43 |
| 3 | WD250-656 | 842645085413 | NUT | | 2 | 2 | \$1.70 | \$0.85 |
| 4 | WD250-657 | 842645085420 | GASKET HEAT INSULATION | | 1 | 1 | \$1.05 | \$0.53 |
| 5 | WD250-658 | 842645085437 | NUT | | 2 | 2 | \$2.12 | \$1.06 |
| 6 | WD250-659 | 842645085444 | BOLT | | 2 | 2 | \$1.70 | \$0.85 |
| | | | | | | | | |
| | | | | | | | | |
| | | | | | | | | |
| | | | | | | | | |
| | | | | | | | | |
| | | | | | | | | |
| | | | | | | | | |
| | | | | | | | | |
| | | | | | | | | |
| | | | | | | | | |
| | | | | | | | | |
| | | | | | | | | |
| | | | | | | | | |
| | | | | | | | | |
| | | | | | | | | |
| | | | | | | | | |
| | | | | | | | | |
| | | | | | | | | |
| | | | | | | | | |
| | | | | | | | | |
| | | | | | | | | |

| VALVE ASSEMBLY | | | | | | | | | MODEL WD250, BAJA250 |
|------------------------------------------------------------------------------------|-----------|--------------|---------------------------|------------------|-----------------------|------|---------|-------------|----------------------|
|  | | | | | | | | | |
|  | | | | | | | | | |
| Item No. | Part No. | UPC Number | Description | Baja Description | Qty Shipped per order | Qty. | MSRP | Dealer Cost | |
| 1 | WD250-660 | 842645085451 | VAVLE, intake | | 1 | 1 | \$13.13 | \$6.57 | |
| 2 | WD250-661 | 842645085468 | VALVE, exhaust | | 1 | 1 | \$11.50 | \$5.75 | |
| 3 | WD250-662 | 842645085475 | SEAT | | 1 | 2 | \$0.85 | \$0.43 | |
| 4 | WD250-663 | 842645085482 | SPRING, valve inner | | 1 | 2 | \$1.06 | \$0.53 | |
| 5 | WD250-664 | 842645085499 | SPRING, valve outer | | 1 | 2 | \$1.38 | \$0.69 | |
| 6 | WD250-665 | 842645085505 | OIL SEAL | | 2 | 2 | \$2.66 | \$1.33 | |
| 7 | WD250-666 | 842645085512 | SEAT | | 2 | 2 | \$1.70 | \$0.85 | |
| 8 | WD250-667 | 842645085529 | COTTER, valve | | 4 | 4 | \$3.00 | \$1.50 | |
| 9 | WD250-668 | 842645085536 | ARM ,valve rocker,intake | | 1 | 2 | \$7.44 | \$3.72 | |
| 10 | WD250-669 | 842645085543 | SHAFT, valve rocker | | 1 | 1 | \$0.85 | \$0.43 | |
| 11 | WD250-670 | 842645085550 | SHAFT, valve rocker | | 1 | 1 | \$1.06 | \$0.53 | |
| 12 | WD250-671 | 842645085567 | O RING | | 1 | 1 | \$0.95 | \$0.48 | |
| 13 | WD250-672 | 842645085574 | SCREW, adjusting | | 2 | 2 | \$1.70 | \$0.85 | |
| 14 | WD250-673 | 842645085581 | NUT, adjusting | | 1 | 2 | \$0.85 | \$0.43 | |
| 15 | WD250-674 | 842645085598 | ARM ,valve rocker,exhaust | | 1 | 1 | \$7.44 | \$3.72 | |
| | | | | | | | | | |
| | | | | | | | | | |
| | | | | | | | | | |
| | | | | | | | | | |

| CYLINDER & CYLINDER HEAD | | MODEL WD250, BAJA250 | | | | | | |
|------------------------------------------------------------------------------------|-----------|----------------------|------------------------|------------------|-----------------------|------|---------|-------------|
|  | | | | | | | | |
|  | | | | | | | | |
| Item No. | Part No. | UPC Number | Description | Baja Description | Qty Shipped per order | Qty. | MSRP | Dealer Cost |
| 1 | WD250-675 | 842645085604 | CYLINDER HEAD | CYLINDER HEAD | 1 | 1 | \$86.65 | \$43.33 |
| 2 | WD250-676 | 842645085611 | GUID, valve | | 1 | 2 | \$1.00 | \$0.50 |
| 3 | WD250-677 | 842645085628 | CIRCLIP | | 1 | 2 | \$0.85 | \$0.43 |
| 4 | WD250-678 | 842645085635 | BOLT, oil press level | | 1 | 1 | \$0.85 | \$0.43 |
| 5 | WD250-679 | 842645085642 | WASHER | | 1 | 1 | \$0.55 | \$0.28 |
| 6 | WD250-680 | 842645085659 | BOLT | | 2 | 2 | \$1.70 | \$0.85 |
| 7 | WD250-681 | 842645085666 | CAP,chain sprocket | | 1 | 1 | \$1.54 | \$0.77 |
| 8 | WD250-682 | 842645085673 | O RING | | 1 | 1 | \$2.20 | \$1.10 |
| 9 | WD250-683 | 842645085680 | SCREW | | 3 | 7 | \$2.55 | \$1.28 |
| 10 | WD250-684 | 842645085697 | CAP,intake adjusting | | 1 | 1 | \$0.82 | \$0.41 |
| 11 | WD250-685 | 842645085703 | CAP, exhaust adjusting | | 1 | 1 | \$1.11 | \$0.56 |
| 12 | WD250-686 | 842645085710 | O RING | | 1 | 2 | \$1.12 | \$0.56 |
| 13 | WD250-687 | 842645085727 | NUT | | 1 | 2 | \$0.85 | \$0.43 |
| 14 | WD250-688 | 842645085734 | CAP NUT | | 2 | 4 | \$1.70 | \$0.85 |
| 15 | WD250-689 | 842645085741 | WASHER | | 1 | 4 | \$0.55 | \$0.28 |
| 16 | WD250-690 | 842645085758 | GASKET,cylinder head | | 1 | 1 | \$11.75 | \$5.88 |
| | | | | | | | | |
| | | | | | | | | |
| | | | | | | | | |

| CYLINDER & CYLINDER HEAD | | MODEL WD250, BAJA250 | | | | | | | |
|--------------------------|-----------|----------------------|-------------------------|--------------------|-----------------------|------|----------|-------------|--|
| | | | | | | | | | |
| | | | | | | | | | |
| Item No. | Part No. | UPC Number | Description | Baja Description | Qty Shipped per order | Qty. | MSRP | Dealer Cost | |
| 17 | WD250-691 | 842645085765 | DOWEL PIN | | 2 | 2 | \$1.70 | \$0.85 | |
| 18 | WD250-692 | 842645085772 | BOLT | | 2 | 2 | \$1.70 | \$0.85 | |
| 19 | WD250-693 | 842645001413 | SPARK PLUG | | 1 | 1 | \$6.34 | \$3.17 | |
| 20 | WD250-694 | 842645085796 | CYLINDER | | 1 | 1 | \$104.20 | \$52.10 | |
| 21 | WD250-696 | 842645085802 | GASKET,cylinder | | 1 | 1 | \$1.15 | \$0.58 | |
| 22 | WD250-697 | 842645085819 | DOWEL PIN | | 1 | 2 | \$0.85 | \$0.43 | |
| 23 | WD250-698 | 842645085826 | OIL PIPE | | 1 | 1 | \$1.20 | \$0.60 | |
| 24 | WD250-699 | 842645085833 | CIRCLIP | | 1 | 1 | \$0.85 | \$0.43 | |
| 25 | WD250-700 | 842645085840 | SEAT,intake | | 1 | 1 | \$2.42 | \$1.21 | |
| 26 | WD250-701 | 842645085857 | SEAT,exhaust | | 1 | 1 | \$2.42 | \$1.21 | |
| 27 | WD250-702 | 842645085864 | HOSE,breather | | 1 | 1 | \$1.00 | \$0.50 | |
| 28 | WD250-703 | 842645085871 | SENSOR,water temprature | THERMOSTAT | 1 | 1 | \$34.20 | \$17.10 | |
| 29 | WD250-704 | 842645085888 | TEMPRATURE SENSOR | TEMPERATURE SENSOR | 1 | 1 | \$24.20 | \$12.10 | |
| 30 | WD250-705 | 842645051494 | SENSOR COMP | | 1 | 1 | | \$0.00 | |
| 31 | WD250-706 | 842645085895 | HOLDER | | 1 | 1 | \$0.95 | \$0.48 | |
| 32 | WD250-707 | 842645085901 | SCREW | | 2 | 2 | \$1.30 | \$0.65 | |
| | | | | | | | | | |
| | | | | | | | | | |
| | | | | | | | | | |

CYLINDER & CYLINDER HEAD MODEL WD250, BAJA250

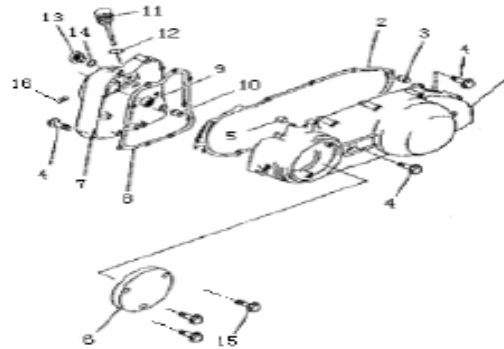


| Item No. | Part No. | UPC Number | Description | Baja Description | Qty Shipped per order | Qty. | MSRP | Dealer Cost |
|----------|-----------|--------------|------------------------|------------------|-----------------------|------|--------|-------------|
| 33 | WD250-708 | 842645085918 | ASM,breather | | 1 | 1 | \$2.02 | \$1.01 |
| 34 | WD250-709 | 842645085925 | CAP ASM,chain sprocket | | 1 | 1 | \$7.32 | \$3.66 |
| 35 | WD250-710 | 842645085932 | HOSE,breather | | 1 | 1 | \$1.46 | \$0.73 |
| | | | | | | | | |
| | | | | | | | | |
| | | | | | | | | |
| | | | | | | | | |
| | | | | | | | | |
| | | | | | | | | |
| | | | | | | | | |
| | | | | | | | | |
| | | | | | | | | |
| | | | | | | | | |
| | | | | | | | | |
| | | | | | | | | |
| | | | | | | | | |
| | | | | | | | | |
| | | | | | | | | |
| | | | | | | | | |
| | | | | | | | | |
| | | | | | | | | |
| | | | | | | | | |

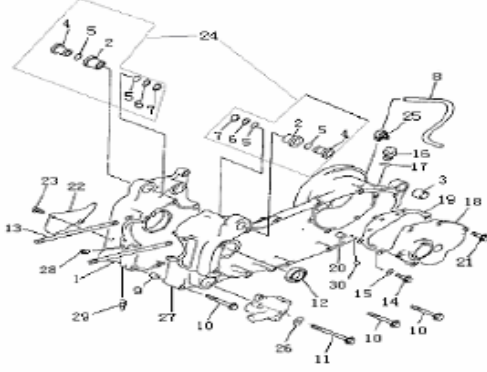

| CRANKSHAFT & PISTON ASSEMBLY | | MODEL WD250, BAJA250 | | | | | | |
|------------------------------|-----------|----------------------|-----------------------|-------------------------------|-----------------------|------|----------|-------------|
| | | | | | | | | |
| | | | | | | | | |
| Item No. | Part No. | UPC Number | Description | Baja Description | Qty Shipped per order | Qty. | MSRP | Dealer Cost |
| 1 | WD250-711 | 842645085949 | CONNECTING ROD ASSY | CONNECTING ROD ASSEMBLY | 1 | 1 | \$164.20 | \$82.10 |
| 2 | WD250-712 | 842645085956 | LOCK NUT | NUT | 1 | 1 | \$1.00 | \$0.50 |
| 3 | WD250-713 | 842645085963 | WASHER | WASHER | 1 | 1 | \$0.55 | \$0.28 |
| 4 | WD250-714 | 842645085970 | KEY | KEY | 1 | 1 | \$1.01 | \$0.51 |
| 5 | WD250-715 | 842645085987 | PISTON | PISTON | 1 | 1 | \$21.75 | \$10.88 |
| | | | PISTON | AVAILABLE WITH PART WD250-727 | | 1 | | |
| | | | PISTON RING , first | AVAILABLE WITH PART WD250-727 | | 1 | | |
| | | | PISTON RING SECOND | AVAILABLE WITH PART WD250-727 | | 2 | | |
| 9 | WD250-720 | 842645085994 | PISTON PIN | PISTON PIN | 1 | 1 | \$2.49 | \$1.25 |
| 10 | WD250-721 | 842645086007 | CIRCLIP, piston pin | CIRCLIP, PISTON PIN | 2 | 2 | \$0.50 | \$0.25 |
| 11 | WD250-722 | 842645086014 | GEAR | GEAR | 1 | 1 | \$0.85 | \$0.43 |
| 12 | WD250-723 | 842645086021 | BEARING | BEARING | 1 | 1 | \$22.06 | \$11.03 |
| 13 | WD250-724 | 842645086038 | RETURNER , oil | RETAINER, OIL | 1 | 1 | \$12.88 | \$6.44 |
| 14 | WD250-725 | 842645086045 | BEARING | BEARING | 1 | 1 | \$25.82 | \$12.91 |
| 15 | WD250-726 | 842645086052 | CHAIN SPROCKET TIMING | CHAIN SPROCKET, TIMING | 1 | 1 | \$20.03 | \$10.02 |
| 16 | WD250-727 | 842645086069 | PISTON RING ASSY | PISTON RING ASSEMBLY | 1 | 1 | \$32.95 | \$16.48 |
| | | | | | | | | |
| | | | | | | | | |
| | | | | | | | | |

CRANKCASE COVER ASSEMBLY

MODEL WD250, BAJA250



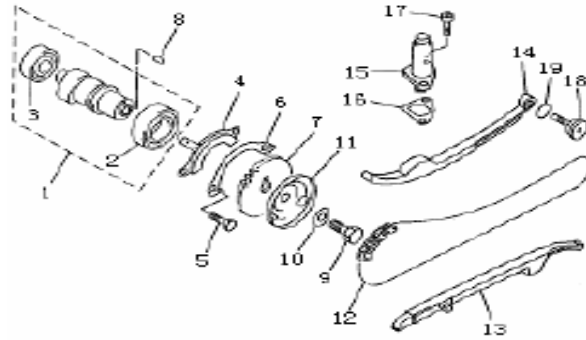
| Item No. | Part No. | UPC Number | Description | Baja Description | Qty Shipped per order | Qty. | MSRP | Dealer Cost |
|----------|-----------|--------------|-------------------------|---------------------|-----------------------|------|---------|-------------|
| 1 | WD250-734 | 842645086137 | LEFT COVER | LEFT COVER | 1 | 1 | \$54.20 | \$27.10 |
| 2 | WD250-735 | 842645086144 | WASHER | GASKET, LEFT COVER | 1 | 1 | \$4.20 | \$2.10 |
| 3 | WD250-736 | 842645086151 | PIN,dowel | PIN, DOWEL | 2 | 2 | \$1.70 | \$0.85 |
| 4 | WD250-737 | 842645086168 | BOLT | BOLT | 2 | 21 | \$1.70 | \$0.85 |
| 5 | WD250-738 | 842645086175 | MAT | | 1 | 1 | \$0.75 | \$0.38 |
| 6 | WD250-739 | 842645086182 | AIR FILTER NET,head | | 1 | 1 | \$2.42 | \$1.21 |
| 7 | WD250-740 | 842645086199 | RIGHT CRAFT COMP | RIGHT COVER | 1 | 1 | \$25.26 | \$12.63 |
| 8 | WD250-741 | 842645086205 | WASHER,right side cover | GASKET, RIGHT COVER | 1 | 1 | \$2.03 | \$1.02 |
| 9 | WD250-742 | 842645086212 | OIL SEAL | OIL SEAL | 1 | 1 | \$0.95 | \$0.48 |
| 10 | WD250-743 | 842645086229 | PIN,dowel | PIN, DOWEL | 2 | 2 | \$1.90 | \$0.95 |
| 11 | WD250-744 | 842645086236 | GAUGE,oil level | GUAGE, OIL LEVEL | 1 | 1 | \$1.15 | \$0.58 |
| 12 | WD250-745 | 842645086243 | O RING | O RING | 1 | 1 | | \$0.00 |
| 13 | WD250-746 | 842645086250 | COVER,observe | COVER, OBSERVE | 1 | 1 | | \$0.00 |
| 14 | WD250-747 | 842645086267 | O RING | O RING | 1 | 1 | | \$0.00 |
| 15 | WD250-748 | 842645086274 | BOLT | BOLT | 3 | 3 | | \$0.00 |
| 16 | WD250-749 | 842645086281 | STOPPER | STOPPER | 1 | 1 | \$0.85 | \$0.43 |
| | | | | | | | | |
| | | | | | | | | |
| | | | | | | | | |

| CRANKCASE ASSEMBLY | | MODEL WD250, BAJA250 | | | | | | |
|------------------------------------------------------------------------------------|-----------|----------------------|-----------------------|-------------------------------|-----------------------|------|---------|-------------|
|  | | | | | | | | |
|  | | | | | | | | |
| Item No. | Part No. | UPC Number | Description | Baja Description | Qty Shipped per order | Qty. | MSRP | Dealer Cost |
| 1 | WD250-750 | 842645086298 | CRANKCASE ASSY, RIGHT | | 1 | 1 | \$27.85 | \$13.93 |
| 2 | | | SLEEVE COMP,fixtion | AVAILABLE WITH PART WD250-773 | | 2 | | |
| 3 | WD250-752 | 842645086311 | SHOCK ABSORBER | CRANKCASE SHOCK ABSORBER | 1 | 1 | \$1.50 | \$0.75 |
| 4 | | | SLEEVE,transition | AVAILABLE WITH PART WD250-773 | | 2 | | |
| 5 | | | O RING | AVAILABLE WITH PART WD250-773 | | 4 | | |
| 6 | | | WASHER | AVAILABLE WITH PART WD250-773 | | 2 | | |
| 7 | | | CIRCLIP | AVAILABLE WITH PART WD250-773 | | 2 | | |
| 8 | WD250-757 | 842645086366 | HOSE | | 1 | 1 | \$1.15 | \$0.58 |
| 9 | WD250-758 | 842645086373 | PIN,dowel | | 2 | 2 | \$1.70 | \$0.85 |
| 10 | WD250-759 | 842645086380 | BOLT | | 4 | 4 | \$3.40 | \$1.70 |
| 11 | WD250-760 | 842645086397 | BOLT | | 5 | 5 | \$4.25 | \$2.13 |
| 12 | WD250-761 | 842645086403 | OIL SEAL | OIL SEAL | 1 | 1 | \$9.13 | \$4.57 |
| 13 | WD250-762 | 842645086410 | STUD BOLT,sylinder | | 2 | 4 | \$1.05 | \$0.53 |
| 14 | WD250-763 | 842645086427 | BOLT | | 1 | 1 | \$0.85 | \$0.43 |
| 15 | WD250-764 | 842645086434 | WASHER | | 1 | 1 | \$0.55 | \$0.28 |
| 16 | WD250-765 | 842645086441 | OIL PLUG | | 1 | 1 | \$0.95 | \$0.48 |
| | | | | | | | | |
| | | | | | | | | |
| | | | | | | | | |

| CRANKCASE ASSEMBLY | | MODEL WD250, BAJA250 | | | | | | | |
|--------------------|-----------|----------------------|----------------------|--------------------------|-----------------------|------|---------|-------------|--|
| | | | | | | | | | |
| Item No. | Part No. | UPC Number | Description | Baja Description | Qty Shipped per order | Qty. | MSRP | Dealer Cost | |
| 17 | WD250-766 | 842645086458 | O RING | | 1 | 1 | \$0.85 | \$0.43 | |
| 18 | WD250-767 | 842645086465 | COVER,gear case | | 1 | 1 | \$20.38 | \$10.19 | |
| 19 | WD250-768 | 842645086472 | WASHER,cover | | 1 | 1 | \$1.55 | \$0.78 | |
| 20 | WD250-769 | 842645086489 | PIN,dowel | PIN DOWEL | 2 | 2 | \$1.92 | \$0.96 | |
| 21 | WD250-770 | 842645086496 | BOLT | BOLT | 5 | 6 | \$4.25 | \$2.13 | |
| 22 | WD250-771 | 842645086502 | COVER PLATE | COVER PLATE | 1 | 1 | \$1.01 | \$0.51 | |
| 23 | WD250-772 | 842645086519 | SCREW | SCREW | 2 | 2 | \$1.70 | \$0.85 | |
| 24 | WD250-773 | 842645086526 | SHOCK ABSORBER | SHOCK ABSORBER | 2 | 2 | \$4.94 | \$2.47 | |
| 25 | WD250-774 | 842645086533 | PLUG | PLUG | 1 | 1 | \$1.25 | \$0.63 | |
| 26 | WD250-775 | 842645086540 | WASHER | WASHER | 2 | 2 | \$1.10 | \$0.55 | |
| 27 | WD250-776 | 842645086557 | CRANKCASE ASSY, LEFT | CRANKCASE ASSEMBLY, LEFT | 1 | 1 | \$54.20 | \$27.10 | |
| 28 | WD250-777 | 842645086564 | HOSE | HOSE | 1 | 1 | \$1.94 | \$0.97 | |
| 29 | WD250-778 | 842645086571 | HOSE | HOSE | 1 | 1 | \$1.74 | \$0.87 | |
| 30 | WD250-779 | 842645086588 | STOPPER | STOPPER | 1 | 1 | \$1.00 | \$0.50 | |
| | | | | | | | | | |
| | | | | | | | | | |
| | | | | | | | | | |
| | | | | | | | | | |

| WATER PUMP ASSEMBLY | | MODEL WD250, BAJA250 | | | | | | | |
|---------------------|-----------|----------------------|------------------|--------------------------------|-----------------------|------|---------|-------------|--|
| | | | | | | | | | |
| | | | | | | | | | |
| Item No. | Part No. | UPC Number | Description | Baja Description | Qty Shipped per order | Qty. | MSRP | Dealer Cost | |
| 1 | WD250-780 | 842645086595 | PUMP ASSEMBLY | | 1 | 1 | \$42.00 | \$21.00 | |
| 2 | | | IMPELLER COMP | AVAILABLE WITH PART WDW250-780 | | 1 | | | |
| 3 | | | PUMP COVER | AVAILABLE WITH PART WDW250-780 | | 1 | | | |
| 4 | | | SEAL GASKET | AVAILABLE WITH PART WDW250-780 | | 1 | | | |
| 5 | | | SCREW | AVAILABLE WITH PART WDW250-780 | | 4 | | | |
| 6 | | | BEARING | AVAILABLE WITH PART WDW250-780 | | 1 | | | |
| 7 | | | BODY,WATER PUMP | AVAILABLE WITH PART WDW250-780 | | 1 | | | |
| 8 | | | OIL SEAL | AVAILABLE WITH PART WDW250-780 | | 1 | | | |
| 9 | | | WATER SEAL COMP | AVAILABLE WITH PART WDW250-780 | | 1 | | | |
| 10 | | | CIRCLIP | AVAILABLE WITH PART WDW250-780 | | 1 | | | |
| 11 | | | NUT | AVAILABLE WITH PART WDW250-780 | | 1 | | | |
| 12 | | | O RING | AVAILABLE WITH PART WDW250-780 | | 1 | | | |
| 13 | | | SHAFT,WATER PUMP | AVAILABLE WITH PART WDW250-780 | | 1 | | | |
| 14 | WD250-793 | 842645043574 | PIN | | 1 | 1 | | \$0.00 | |
| 15 | WD250-794 | 842645099458 | WASHER | | 2 | 2 | | \$0.00 | |
| 16 | WD250-795 | 842645097799 | GEAR,OIL PUMP | | 1 | 1 | | \$0.00 | |
| | | | | | | | | | |
| | | | | | | | | | |

CLUTCH COVER ASSEMBLY **MODEL WD250, BAJA250**

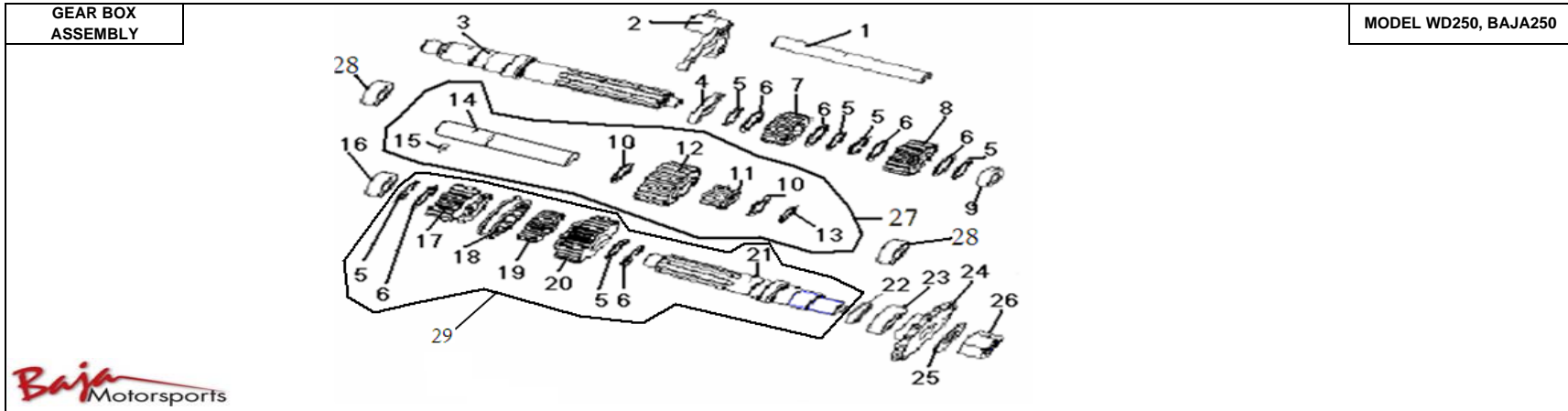


| Item No. | Part No. | UPC Number | Description | Baja Description | Qty Shipped per order | Qty. | MSRP | Dealer Cost |
|----------|-----------|--------------|--------------------------|------------------|-----------------------|------|---------|-------------|
| 1 | WD250-803 | 842645086663 | CAMSHAFT COMP | | 1 | 1 | \$24.20 | \$12.10 |
| 2 | WD250-804 | 842645086670 | BEARING | | 1 | 1 | \$8.36 | \$4.18 |
| 3 | WD250-805 | 842645086687 | BEARING | | 1 | 1 | \$5.17 | \$2.59 |
| 4 | WD250-806 | 842645086694 | PLATE | | 1 | 1 | \$0.96 | \$0.48 |
| 5 | WD250-807 | 842645086700 | BOLT | | 1 | 2 | \$0.85 | \$0.43 |
| 6 | WD250-808 | 842645086717 | WASHER | | 1 | 1 | \$0.55 | \$0.28 |
| 7 | WD250-809 | 842645086724 | CHAIN SPROCKET ,camshaft | | 1 | 1 | \$4.20 | \$2.10 |
| 8 | WD250-810 | 842645086731 | PIN | | 1 | 1 | \$0.85 | \$0.43 |
| 9 | WD250-811 | 842645086748 | BOLT | | 1 | 1 | \$0.85 | \$0.43 |
| 10 | WD250-812 | 842645086755 | WASHER | | 1 | 1 | \$0.55 | \$0.28 |
| 11 | WD250-813 | 842645086762 | CAP, chain sprocket | | 1 | 1 | \$0.97 | \$0.49 |
| 12 | WD250-814 | 842645086779 | CHAIN | | 1 | 1 | \$54.20 | \$27.10 |
| 13 | WD250-815 | 842645086786 | SUB-GUAID CHAIN PLATE | | 1 | 1 | \$4.20 | \$2.10 |
| 14 | WD250-816 | 842645086793 | GUAID CHAIN PLATE | | 1 | 1 | \$5.25 | \$2.63 |
| 15 | WD250-817 | 842645086809 | TENSIONER | | 1 | 1 | \$6.52 | \$3.26 |
| 16 | WD250-818 | 842645086816 | WASHER | | 1 | 1 | \$0.55 | \$0.28 |
| | | | | | | | | |
| | | | | | | | | |
| | | | | | | | | |

| GEAR BOX ASSEMBLY | | MODEL WD250, BAJA250 | | | | | | |
|-------------------|-----------|----------------------|-------------------------|------------------|-----------------------|------|---------|-------------|
| | | | | | | | | |
| | | | | | | | | |
| Item No. | Part No. | UPC Number | Description | Baja Description | Qty Shipped per order | Qty. | MSRP | Dealer Cost |
| 1 | WD250-822 | 842645086854 | PIN DOWER, BUSE | | 4 | 4 | \$3.84 | \$1.92 |
| 2 | WD250-823 | 842645086861 | BOLT | BOLT | 1 | 1 | \$0.85 | \$0.43 |
| 3 | WD250-824 | 842645086878 | BOLT | BOLT | 4 | 7 | \$3.40 | \$1.70 |
| 4 | WD250-825 | 842645086885 | O RING | O RING | 1 | 1 | \$0.75 | \$0.38 |
| 5 | WD250-826 | 842645086892 | POINTER ASSY,GEAR SHIFT | INDICATOR | 1 | 1 | \$1.54 | \$0.77 |
| 6 | WD250-827 | 842645086908 | BEARING SEAT | BEARING SEAT | 1 | 1 | \$4.20 | \$2.10 |
| 7 | WD250-828 | 842645086915 | BOLT | BOLT | 4 | 4 | \$3.40 | \$1.70 |
| 8 | WD250-829 | 842645086922 | PLUG | PLUG | 1 | 1 | \$1.75 | \$0.88 |
| 9 | WD250-830 | 842645086939 | HOSE | HOSE | 1 | 1 | \$1.20 | \$0.60 |
| 10 | WD250-902 | 883099059735 | SEAL GASKET | NEW | 1 | 1 | \$3.00 | \$1.50 |
| 11 | WD250-903 | 883099059742 | GEAR CASE | NEW | 1 | 1 | \$47.06 | \$23.53 |
| 12 | WD250-833 | 842645086960 | OIL PLUG | OIL PLUG | 1 | 1 | \$1.02 | \$0.51 |
| 13 | WD250-834 | 842645086977 | O RING | O RING | 1 | 1 | \$0.94 | \$0.47 |
| 14 | WD250-835 | 842645086984 | *GASKET, GEAR CASE | OLD | 1 | 1 | \$1.03 | \$0.52 |
| | | | | | | | | |
| | | | | | | | | |
| | | | | | | | | |
| | | | | | | | | |

| GEAR BOX ASSEMBLY | | MODEL WD250, BAJA250 | | | | | | |
|-------------------|-----------|----------------------|----------------------|------------------------------------------|-----------------------|------|---------|-------------|
| | | | | | | | | |
| | | | | | | | | |
| Item No. | Part No. | UPC Number | Description | Baja Description | Qty Shipped per order | Qty. | MSRP | Dealer Cost |
| 14 | WD250-904 | 883099059759 | GASKET, GEAR CASE | NEW | 1 | 1 | \$1.03 | \$0.52 |
| 15 | WD250-836 | 842645086991 | GROMMET | GROMMET | 1 | 1 | \$4.24 | \$2.12 |
| 16 | WD250-837 | 842645087004 | *COVER, GEAR CASE | OLD | 1 | 1 | \$14.50 | \$7.25 |
| 16 | WD250-905 | 883099059766 | COVER, GEAR CASE | NEW | 1 | 1 | \$15.50 | \$7.75 |
| 17 | WD250-838 | 842645087011 | SPACE, DRAIN | SPACER, DRAIN PLUG | 2 | 1 | \$1.70 | \$0.85 |
| | WD250-901 | 842645065309 | POINTER SHIFT, ASSYM | POINTER SHIFT, ASSYM (23,24,25,26,27,28) | 1 | 1 | \$8.95 | \$4.48 |
| 18 | WD250-839 | 842645087028 | DRAIN SCREW | DRAIN SCREW | 1 | 1 | \$0.85 | \$0.43 |
| 19 | WD250-840 | 842645087035 | BOLT | BOLT | 4 | 8 | \$3.40 | \$1.70 |
| 20 | WD250-841 | 842645087042 | NUT | NUT | 1 | 1 | \$1.06 | \$0.53 |
| 21 | WD250-842 | 842645087059 | WASHER | WASHER | 1 | 1 | \$0.55 | \$0.28 |
| 22 | WD250-843 | 842645087066 | UPPER FORK ASSY | UPPER FORK ASSEMBLY | 1 | 1 | \$26.95 | \$13.48 |
| 23 | WD250-844 | 842645087073 | VALVE ROCKER | VALVE ROCKER | 1 | 1 | \$4.85 | \$2.43 |
| 24 | WD250-845 | 842645087080 | POINTER, SHIFT | POINTER, SHIFT | 1 | 1 | \$1.45 | \$0.73 |
| 25 | WD250-846 | 842645087097 | VALVE ROCKER,STOPPER | VALVE ROCKER | 1 | 1 | \$0.85 | \$0.43 |
| 26 | WD250-847 | 842645087103 | NUT | NUT | 1 | 1 | \$1.06 | \$0.53 |
| 27 | WD250-848 | 842645087110 | STOPPER,GEAR SHIFT | STOPPER, GEAR SHIFT | 1 | 1 | \$0.83 | \$0.42 |
| | | | | | | | | |
| | | | | | | | | |
| | | | | | | | | |

| GEAR BOX ASSEMBLY | | MODEL WD250, BAJA250 | | | | | | | |
|-------------------|-----------|----------------------|----------------------|-----------------------------------------|-----------------------|------|---------|-------------|--|
| | | | | | | | | | |
| | | | | | | | | | |
| Item No. | Part No. | UPC Number | Description | Baja Description | Qty Shipped per order | Qty. | MSRP | Dealer Cost | |
| 1 | WD250-858 | 842645087219 | SHAFT, FORK | | 1 | 1 | \$0.95 | \$0.48 | |
| 2 | WD250-859 | 842645087226 | FORK | OLD | 1 | 1 | \$7.81 | \$3.91 | |
| 2 | WD250-915 | 883099062285 | FORK | NEW | 1 | 1 | \$7.81 | \$3.91 | |
| 3 | WD250-860 | 842645087233 | SHAFT | | 1 | 1 | \$16.70 | \$8.35 | |
| 4 | WD250-861 | 842645087240 | OIL SEAL | | 1 | 1 | \$10.55 | \$5.28 | |
| 5 | WD250-862 | 842645087257 | CIRCLIP | | 1 | 6 | \$0.88 | \$0.44 | |
| 6 | WD250-863 | 842645087264 | WASHER | | 1 | 6 | \$0.55 | \$0.28 | |
| 7 | WD250-864 | 842645087271 | *DRIVE GEAR | OLD | 1 | 1 | \$8.91 | \$4.46 | |
| 7 | WD250-906 | 883099059537 | DRIVE GEAR | NEW | 1 | 1 | \$8.91 | \$4.46 | |
| 8 | WD250-865 | 842645087288 | DRIVE GEAR , REVERSE | OLD | 1 | 1 | \$6.48 | \$3.24 | |
| 8 | WD250-907 | 883099059544 | DRIVE GEAR , REVERSE | NEW | 1 | 1 | \$6.48 | \$3.24 | |
| 9 | WD250-866 | 842645087295 | BEARING | | 1 | 1 | \$4.20 | \$2.10 | |
| 10 | WD250-867 | 842645087301 | WASHER | FOR OLD UNIT ONLY FOR NEW UNIT SEE # 27 | 1 | 2 | \$0.55 | \$0.28 | |
| 11 | WD250-868 | 842645087318 | NEEDLE BEARING | FOR OLD UNIT ONLY FOR NEW UNIT SEE # 27 | 1 | 1 | \$1.15 | \$0.58 | |
| 12 | WD250-869 | 842645087325 | IDLE GEAR | FOR OLD UNIT ONLY FOR NEW UNIT SEE # 27 | 1 | 1 | \$6.95 | \$3.48 | |
| 13 | WD250-870 | 842645087332 | *CIRCLIP | FOR OLD UNIT ONLY FOR NEW UNIT SEE # 27 | 1 | 1 | \$0.85 | \$0.43 | |
| | | | | | | | | | |
| | | | | | | | | | |
| | | | | | | | | | |



| Item No. | Part No. | UPC Number | Description | Baja Description | Qty Shipped per order | Qty. | MSRP | Dealer Cost |
|----------|-----------|--------------|-------------------------|-----------------------------------------|-----------------------|------|----------|-------------|
| 14 | WD250-871 | 842645087349 | SHAFT, IDLE GEAR | FOR OLD UNIT ONLY FOR NEW UNIT SEE # 27 | 1 | 1 | \$3.25 | \$1.63 |
| 15 | | | PIN | FOR OLD UNIT ONLY FOR NEW UNIT SEE # 27 | | 1 | | |
| 16 | WD250-873 | 842645087363 | BEARING | | 1 | 1 | \$10.46 | \$5.23 |
| 17 | WD250-908 | 883099059551 | DRIVEN GEAR, GEAR SHIFT | NEW | 1 | 1 | \$11.94 | \$5.97 |
| 18 | WD250-875 | 842645087387 | CIRCLE, GEAR SHIFT | | 1 | 1 | \$3.56 | \$1.78 |
| 19 | WD250-876 | 842645087394 | DRIVE GEAR, REAR SHIFT | | 1 | 1 | \$6.98 | \$3.49 |
| 20 | WD250-877 | 842645087400 | DRIVEN GEAR, REVERSE | OLD | 1 | 1 | \$11.94 | \$5.97 |
| 20 | WD250-909 | 883099059605 | DRIVEN GEAR, REVERSE | NEW | 1 | 1 | \$11.94 | \$5.97 |
| 21 | WD250-878 | 842645087417 | SHAFT, REAR | | 1 | 1 | \$15.89 | \$7.95 |
| 22 | WD250-879 | 842645087424 | OIL SEAL | | 1 | 1 | \$2.13 | \$1.07 |
| 23 | WD250-880 | 842645087431 | BEARING | | 1 | 1 | \$8.18 | \$4.09 |
| 24 | WD250-881 | 842645087448 | SPROCKET WHEEL | | 1 | 1 | \$3.05 | \$1.53 |
| 25 | WD250-882 | 842645087455 | WASHER, LOCK | | 1 | 1 | \$0.85 | \$0.43 |
| 26 | WD250-883 | 842645087462 | NUT | | 1 | 1 | \$0.85 | \$0.43 |
| 27 | WD250-910 | 883099059612 | IDLE GEAR | NEW UNIT COMES AS ASSY | 1 | 1 | \$13.95 | \$6.98 |
| 28 | WD250-911 | 842645074202 | BEARING 6004 | BEARING, IDLE GEAR | 1 | 2 | \$4.95 | \$2.48 |
| 29 | WD250-913 | 883099061936 | DRIVEN GEAR ASSYM | NEW | 1 | 1 | \$36.53 | \$18.27 |
| | WD250-912 | 842645074219 | GEAR CASE ASSY | | 1 | 1 | \$173.96 | \$86.98 |
| | | | | | | | | |
| | | | | | | | | |
| | | | | | | | | |
| | | | | | | | | |